

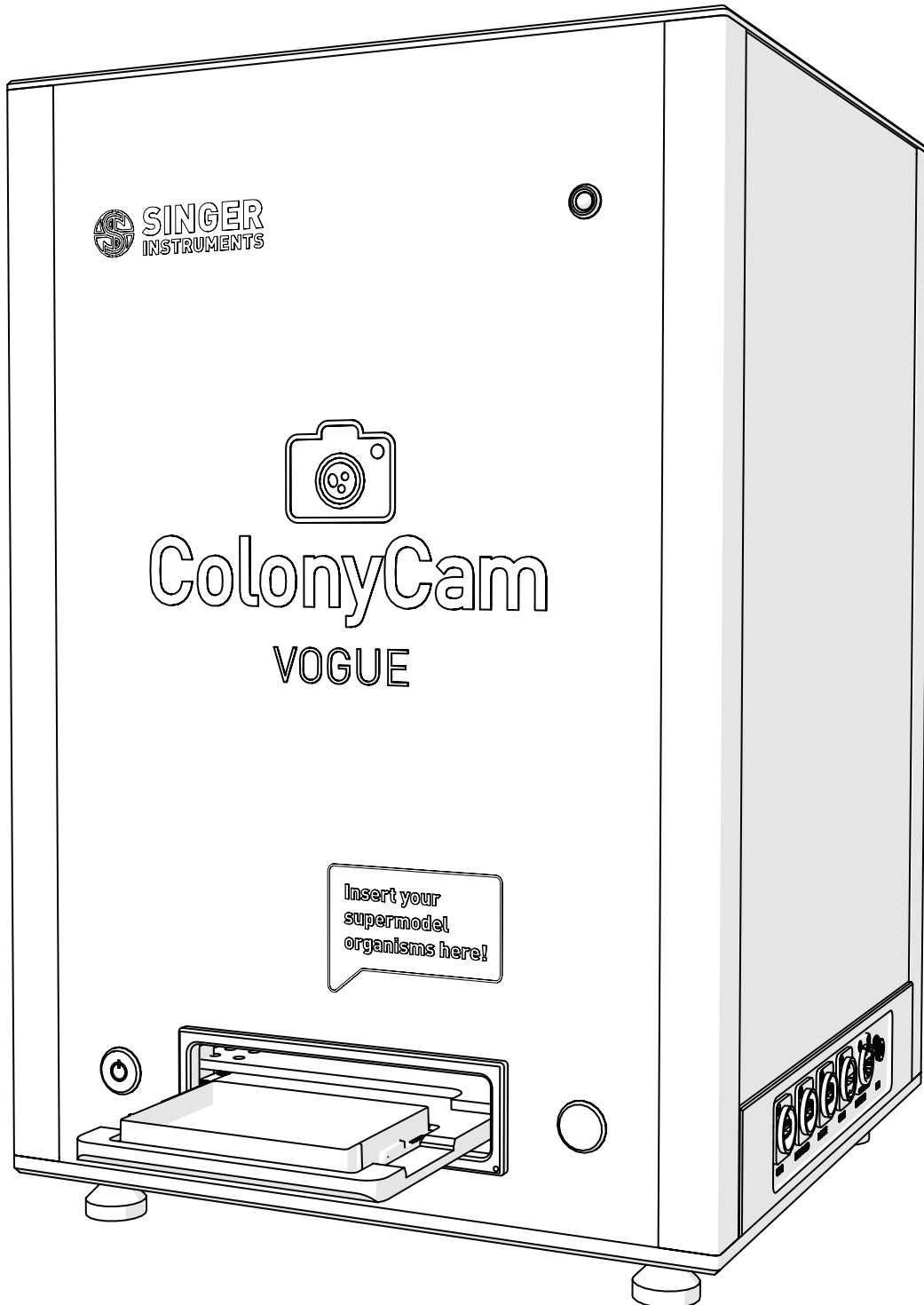
ColonyCam

VOGUE

Quickstart Guide v1.5



SINGER
INSTRUMENTS
A RESPONSIBILITY TO SCIENCE!



For more support
resources visit
[bit.ly/
ColonyCamhelp](https://bit.ly/ColonyCamhelp)

Read before you start!

Plate Height Restrictions!

The ColonyCam Vogue is designed to accept SBS format plates and 90 mm Petri Dishes. There is a maximum plate height limit (including the lid) of 22mm, Deep-well plates will not fit.

Image with the lid on.

To conserve your sample integrity you can image the plate with the lid on. Reflections and glare have been minimised to still give a high quality image. Images taken with the plate lid on will turn out slightly darker.

Keep your hands clear while the drawer is moving.

Catching your hands in the drawer may cause injury.

The drawer opens automatically.

Keep the area in front of the drawer clear as it will open automatically throughout the capture stage.

Remember to remove your last plate before pressing finish.

The drawer will retract when you press finish. Make sure to remove your last plate from the drawer before you press the finish button.

Remove Plate and Petri adaptor before moving the ColonyCam.

If you need to move the ColonyCam for any reason, make sure any plates are removed from the machine as well as the Petri Dish adaptor. These items can fall from the input tray and become lodged inside the ColonyCam.

Gamma Correction.

ColonyCam is configured to give the highest degree of data integrity and visual acuity. ColonyCam applies a gamma correction of 0.54 to ensure the images are displayed correctly to the human eye. Gamma correction is an appropriate image processing technique on scientific images so long as the process is applied to all data consistently and that data integrity is maintained. Given that this process is applied to all images and is carefully calibrated by Singer Instruments, both of these conditions are met. The gamma correction can be essentially reversed by applying the reciprocal gamma. Specifically, applying a gamma of 1.85 in image processing software such as ImageJ will linearise the data which may be appropriate for some image analysis workflows such as quantification of colony brightness/pixel intensity.

ColonyCam images are large.

We recommend removing unwanted images from the default file location regularly to avoid running out of internal storage space.

We'd love your feedback!

We'd love your feedback on our new imaging device, ColonyCam! Perfect for publishable quality images and a great starting point for downstream analysis.

Please scan the QR Code or email ux@singerinstruments.com with any feedback.



Join our discovery community!

Join our Discovery community and help us make the product features YOU want.

The Discovery Community is a group of scientists helping us to understand and solve anything causing frustration in their lab.

Help us to shape product development and have a say in future product updates. You'll also get early access to new features and be able to test things before release.

We'll even throw in some cheeky vouchers, Singer discounts and maybe even some cake!

Scan the QR Code or visit bit.ly/DiscoCommunity to join.



2	Read before you start!
3	Join our Discovery Community
4	Introduction
5	Out of the Box
6	Anatomy & Features
10	Unboxing & Assembly
12	Troubleshooting

ColonyCam

Introduction

ColonyCam Vogue is a high-quality imaging device producing publishable quality photographs, a great starting point for downstream analysis. ColonyCam Vogue can image standard SBS plates, 90mm Petri Dishes and Singer Plus Plates.

The information in this guide relates to software version:
1.1.1

Full user guide available here:



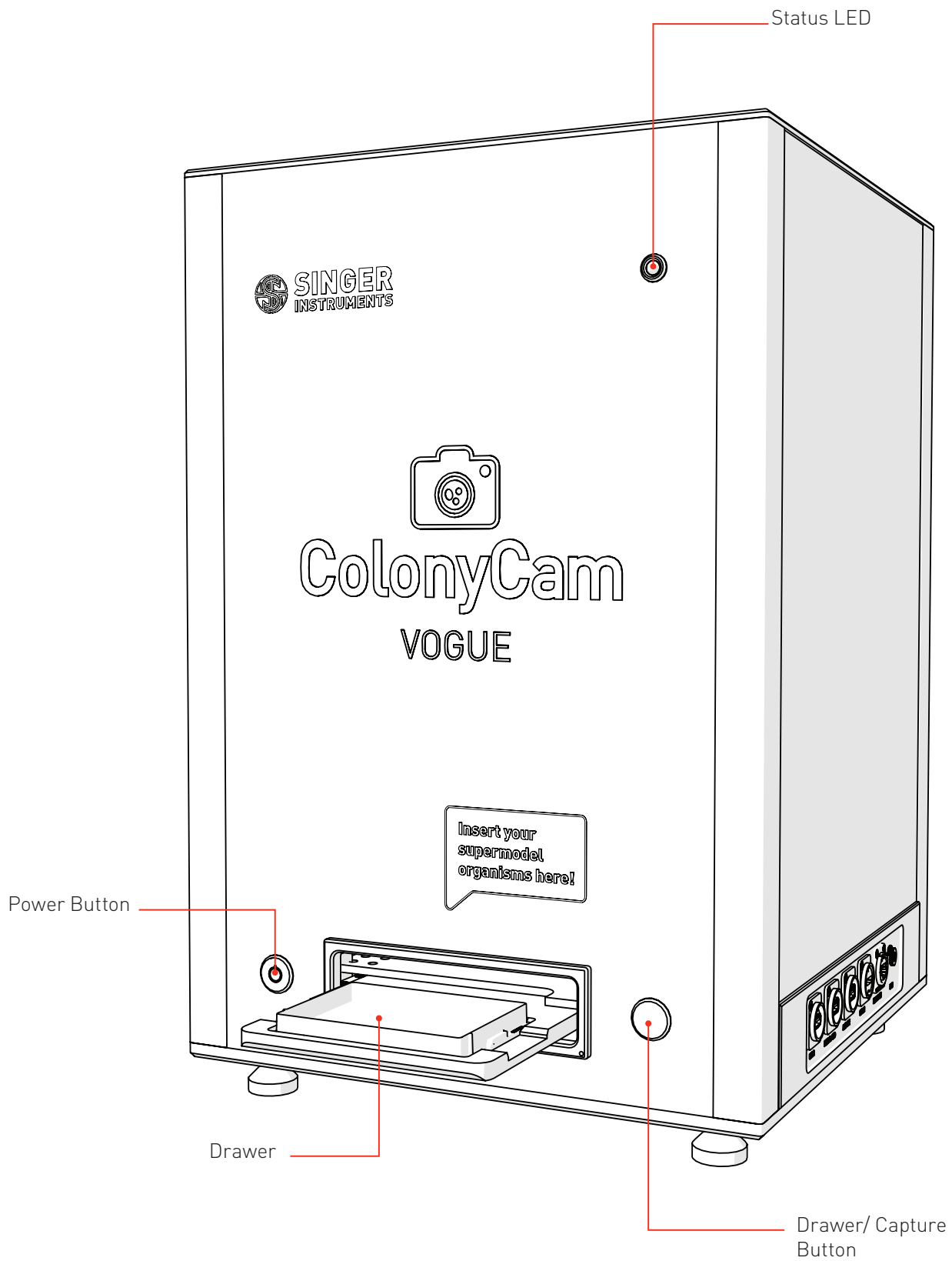
[Bit.ly/ColonyCamGuide](https://bit.ly/ColonyCamGuide)

Out of the box

Find out what comes with the ColonyCam. We'll take you through the steps involved in unboxing and assembling ready for imaging.

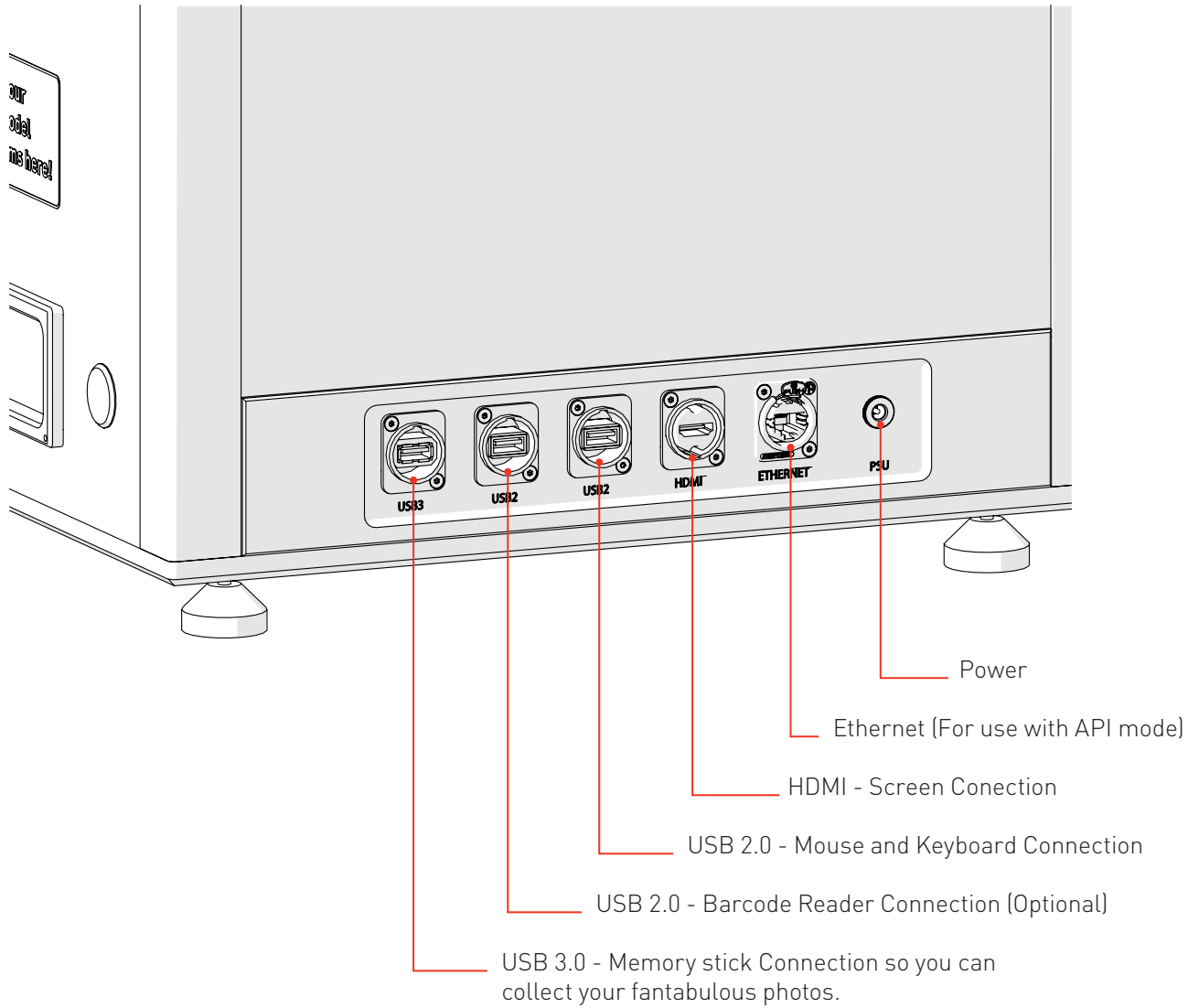
Anatomy & features

Front



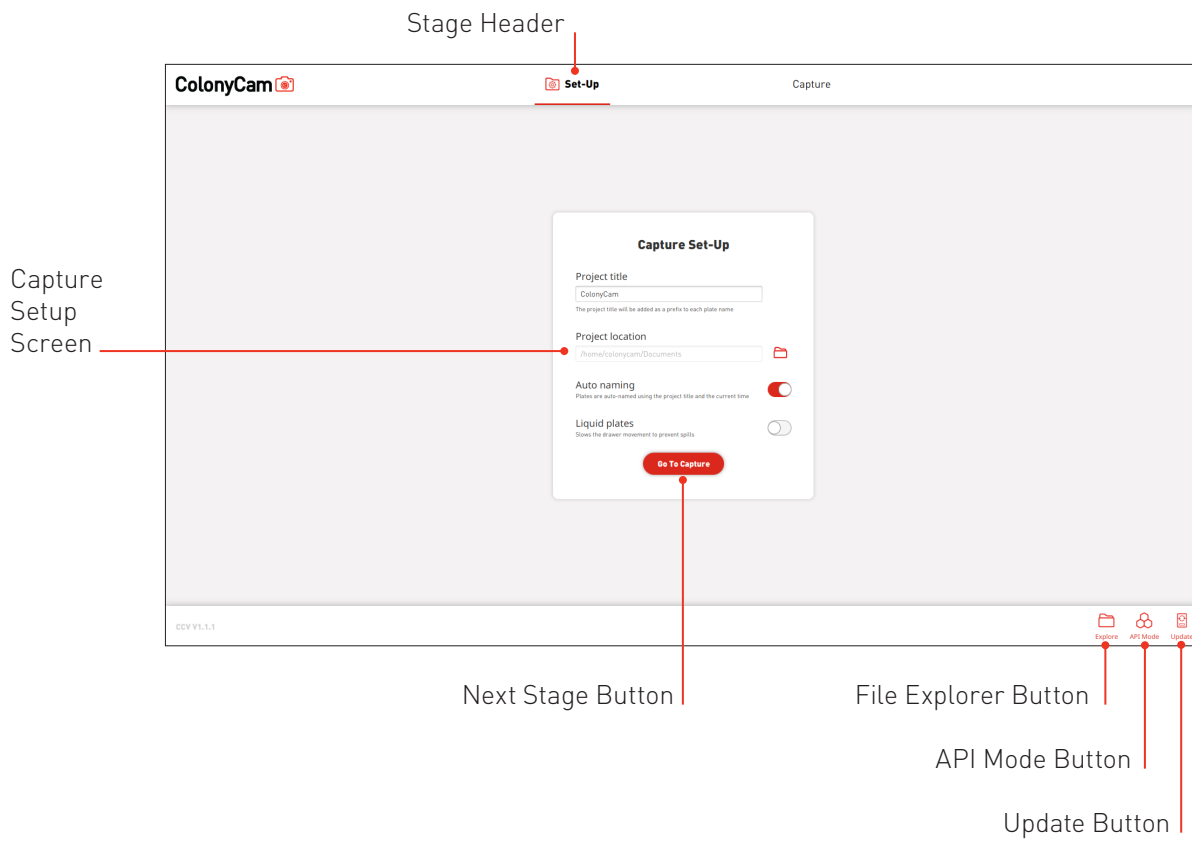
Anatomy & features

RH Side - Sockets

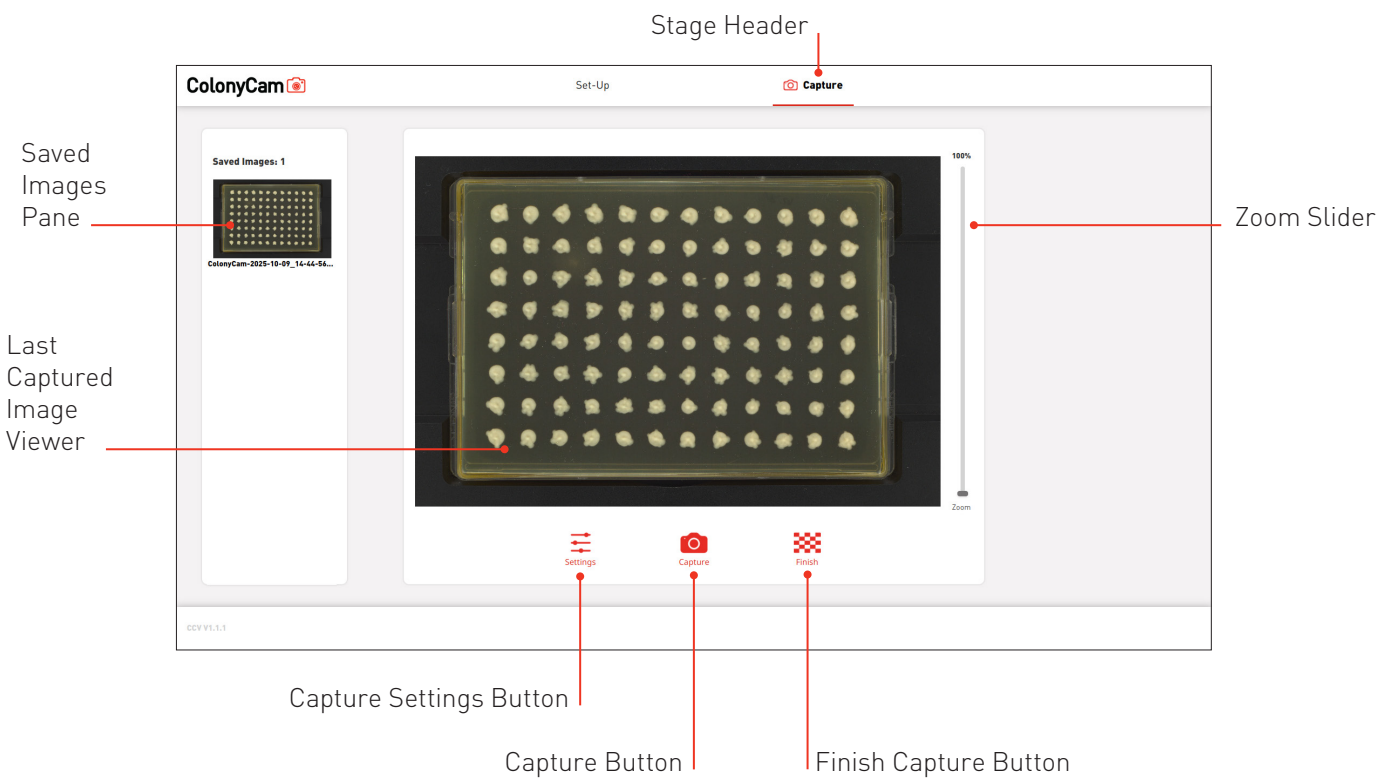


Anatomy & features

Software Set-up Screen



Capture Screen

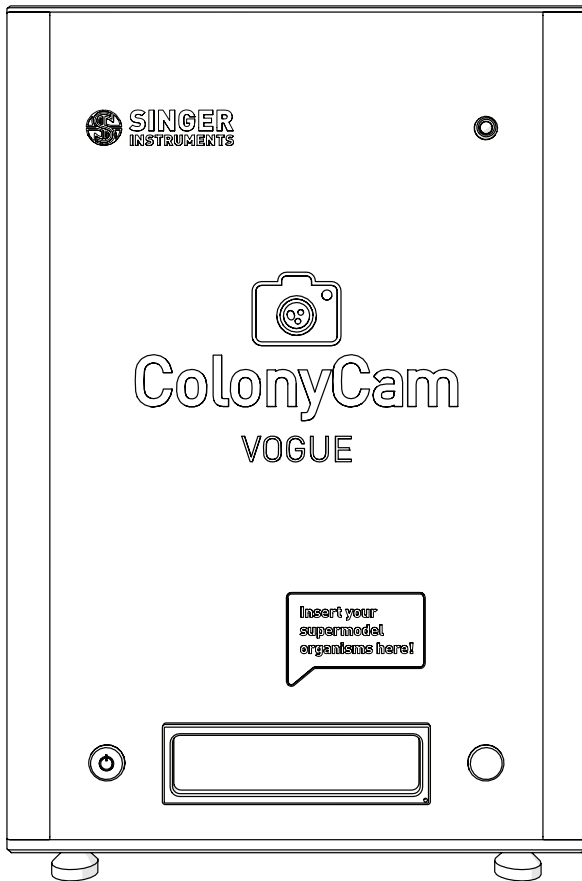


Unboxing & Assembly

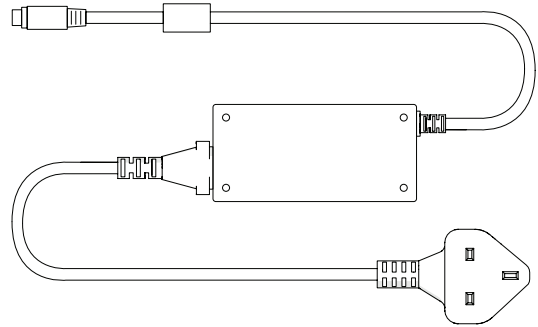
ColonyCam Box

1. ColonyCam
2. ColonyCam power supply
3. 90 mm petri dish adaptor
4. HDMI Cable

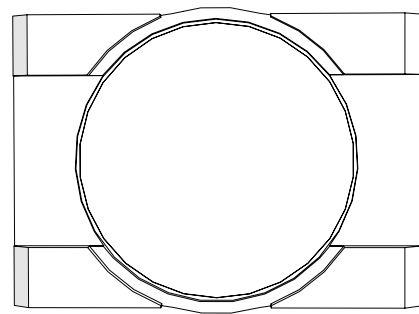
1.



2.



3.



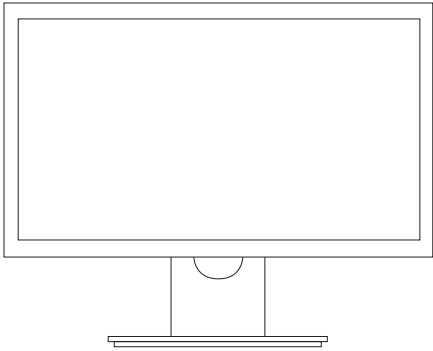
Additional Items

5. Monitor box (includes Dell monitor, stand and connections)
6. Computer Keyboard
7. Computer Mouse
8. 2.5mm Allen Key

Unboxing & Assembly

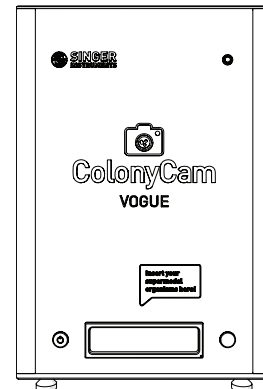
Setting up the System

1



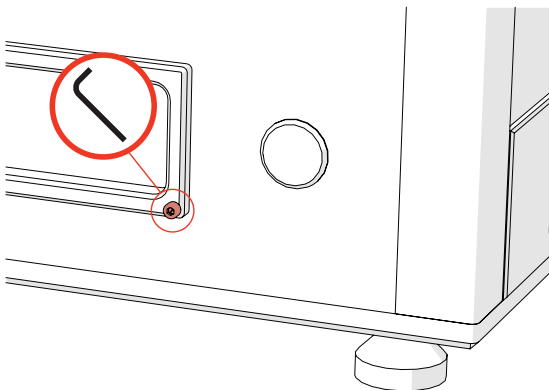
- Set up the monitor as detailed in the screen box instructions.

2



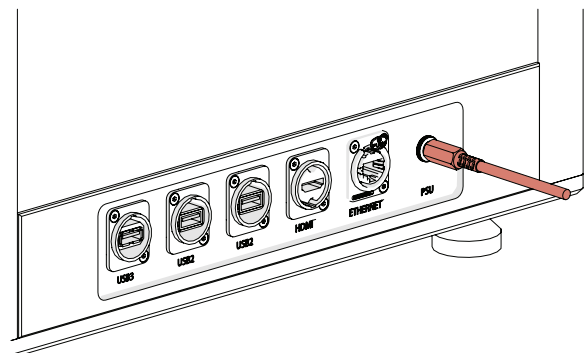
- Carefully remove the ColonyCam out of the box using good manual handling practices and stand on your workspace.
- **Heavy: May require 2 people**

3



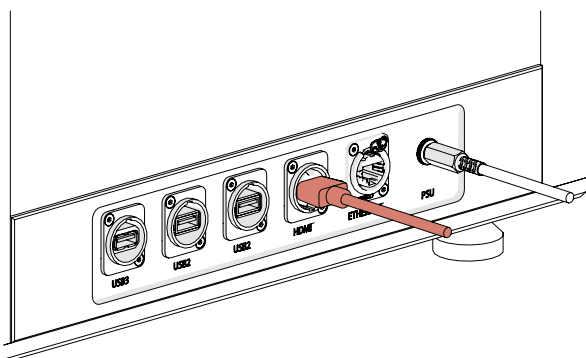
- Remove the transit bolt using the supplied allen key.
- **NOTE:** The transit bolt should always be removed before powering on ColonyCam.

4



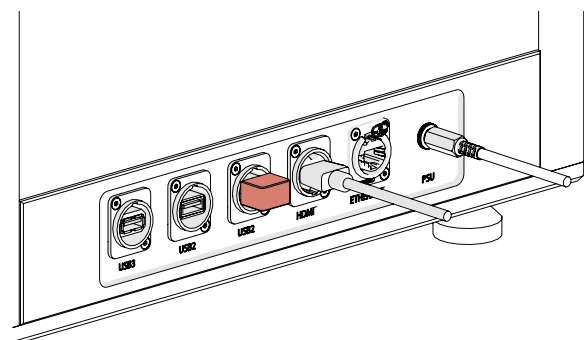
- Insert the ColonyCam power supply into the power socket on the side of the machine.

5



- Connect the ColonyCam to the screen using the supplied HDMI cable.

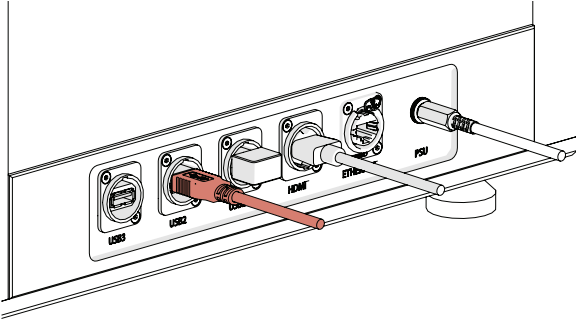
6



- Connect the keyboard and mouse dongle to one of the USB 2.0 sockets on the side of ColonyCam.

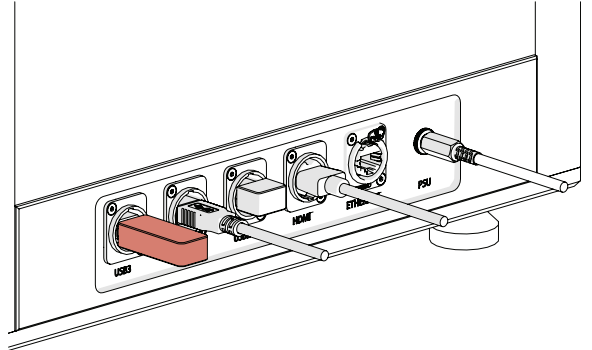
Unboxing & Assembly

7



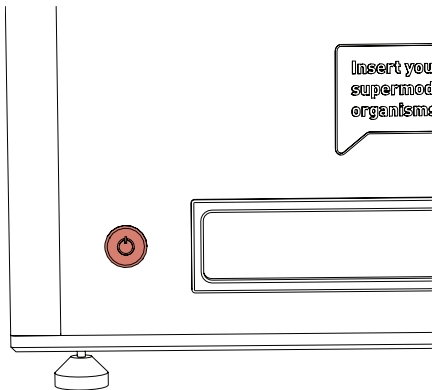
- [OPTIONAL] Attach a barcode scanner to the second USB 2.0 Socket if using.

8



- Insert a memory stick into the USB 3.0 socket.
- QUICK TIP: Specify this location as your file location in the software for quick access to your images later on in the process.

9



- Ensure that the screen is powered on and press the power button to turn on the ColonyCam.
- The ColonyCam software will automatically load.

Troubleshooting

Problem

The drawer has crashed.

There has been a hardware error and the red light is on.

My ColonyCam shows the disconnected icon.

Solution

Press the *Capture* button to recover and rehome the drawer.

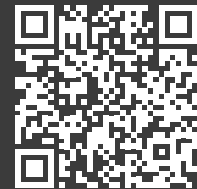
Turn the ColonyCam off and on again. If the error persists contact technicalsupport@singerinstruments.com

Turn off the ColonyCam and PC. Ensure the ethernet cable is plugged in correctly into both devices.

Technical Support

Need help with a different PIXL Max issue?

If you have an issue that isn't covered please visit our tech support site using the QR code and submit a support ticket or email techsupport@singerinstruments.com



bit.ly/Supportrequest



Roadwater
Watchet
Somerset
TA23 0RE
UK

+44 (0)1984 640226 (tel)
+44 (0)1984 641166 (fax)

@singerinstruments.com
singerinstruments.com



Scan to visit our website for more helpful tips and tutorials!



/SingerInstruments

Follow us on our social media channels for updates on what we are up to next.

Disclaimer

At Singer Instruments, we are constantly seeking to improve our products and adapt them to the requirements of modern research techniques and testing methods. This involves modification to the mechanical structure and optical design of our instruments. Therefore, all descriptions and illustrations in this user guide, including all specifications are subject to change without notice.