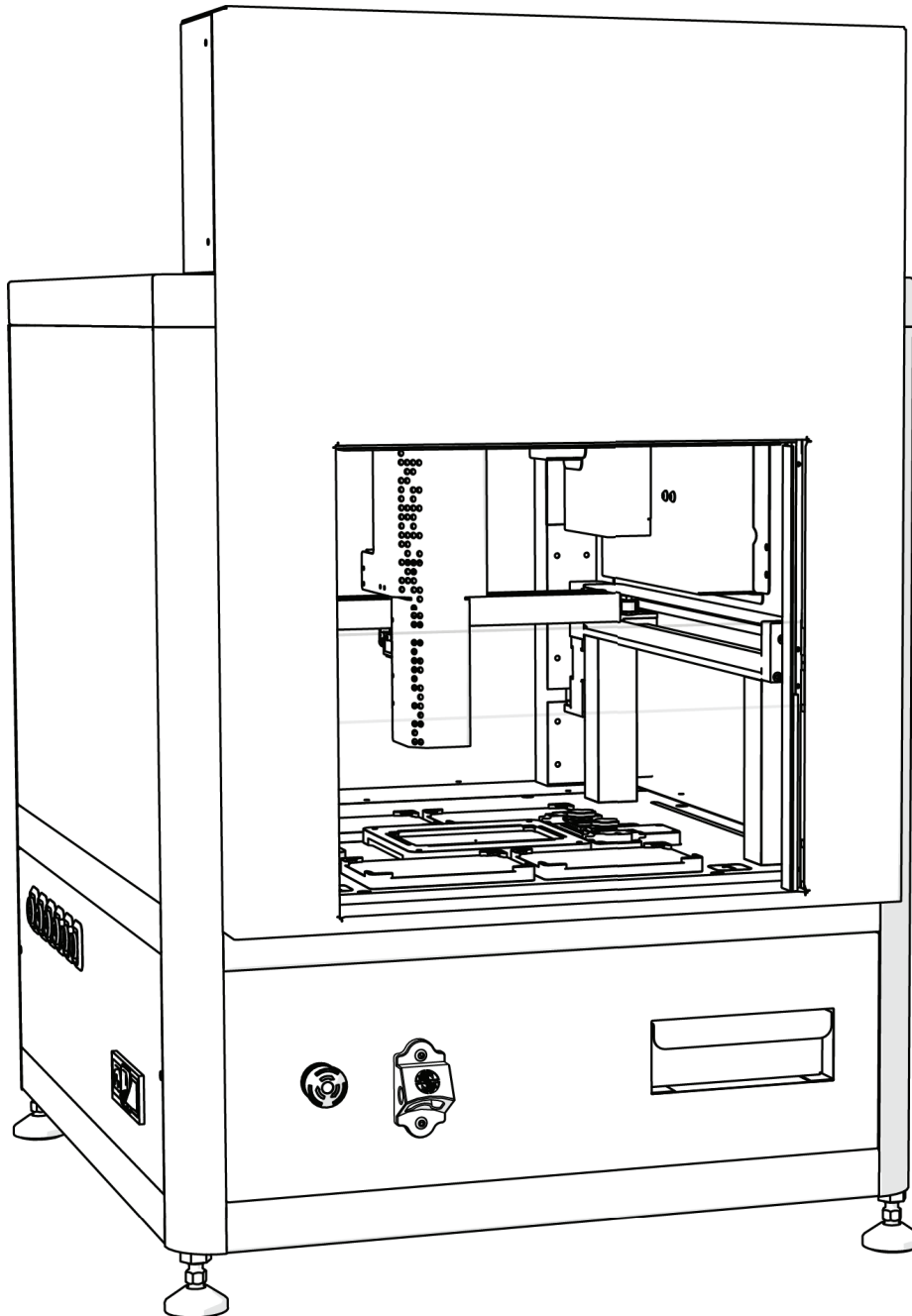




**SINGER  
INSTRUMENTS**  
A RESPONSIBILITY TO SCIENCE!



QUICK START GUIDE v1.2



For more support  
resources visit  
[bit.ly/PIXLhelp](https://bit.ly/PIXLhelp)





## READ BEFORE YOU START!

- **The blade is sharp!** Be careful when handling the PIXL blade. Always follow the instructions on page 42 when changing blades.
- **Hand feed the PickupLine™ carefully.** When feeding a PickupLine™ into the machine, if you feel resistance, pull back slightly and re-feed. Forcing the PickupLine™ through will cause damage to the machine.
- **Remove lids when placing plates into the PIXL.** Lids need to be manually removed. Failure to do so will cause damage to the picking arm.
- **The nozzle is hot!** Be careful when removing the nozzle as it can get quite hot.
- **The feed button is disabled.** The feed button is disabled on all PIXL machines. The retract button is fully functional during the change PickupLine maintenance routine.
- **Door interlock.** For safety reasons PIXL is sold with an interlocking door guard, which acts as: a physical barrier to potentially dangerous moving components; UV protection when the product is running its sterilisation protocol; and contains a sensor ensuring that the motors and UV bulb are disabled when the door is open. Do not attempt to tamper with or override this sensor. If the door is removed then a Risk Assessment is recommended to mitigate the above factors within any third party integrations or enclosures. Singer Instruments will not be liable for any accidents or damage caused by the removal of the door, or other user negligence. Please report any faults with this sensor, or any of the safety mechanisms immediately to your technical support team.

# JOIN OUR DISCOVERY COMMUNITY!

**Join our Discovery community and help us to make the product features YOU want.**

The Discovery Community is a group of scientists helping us to understand and solve anything causing frustration in their lab.

Help us to shape product development and have a say in future product updates. You'll also get early access to new features and be able to test things before release.

We'll even throw in some cheeky vouchers, Singer discounts and maybe even some cake!

Scan the QR Code or visit [bit.ly/CustomerDisco](http://bit.ly/CustomerDisco) to join.

## A NOTE ON INSTALLATIONS

We are performing in-person installations again! But for those we can't make it to, never fear! To get you up and running as quickly as possible we have instead included detailed instruction on how to self-install the PIXL (see page <?>). We ask that you contact our Tech Support Team to let them know when you're planning to perform the self-installation so they can be on hand should you require any assistance: [technicalsupport@singerinstruments.com](mailto:technicalsupport@singerinstruments.com)

Once the installation is complete, please fill-in the online Self-Installation Form: <http://bit.ly/Selfinstallation>

You will be asked to create an account before you start. You can also use this form to report any issues encountered during installation.

**NOTE:** Completion of this form will activate the start of your warranty period. Failure to complete the form may affect the support we are able to offer during the warranty period.

Thanks for being awesome!

2	Read before you start!
4	Introduction
5	Anatomy & features
11	Unboxing & assembly
16	Troubleshooting

---

## **PIXL™**

### **INTRODUCTION**

A super-easy-to-use microbial colony picker. It automates imaging, colony recognition, colony selection, and picking; from Petri dishes to multiwell plates.

The information in this guide relates to software version:  
3.24.0809.1

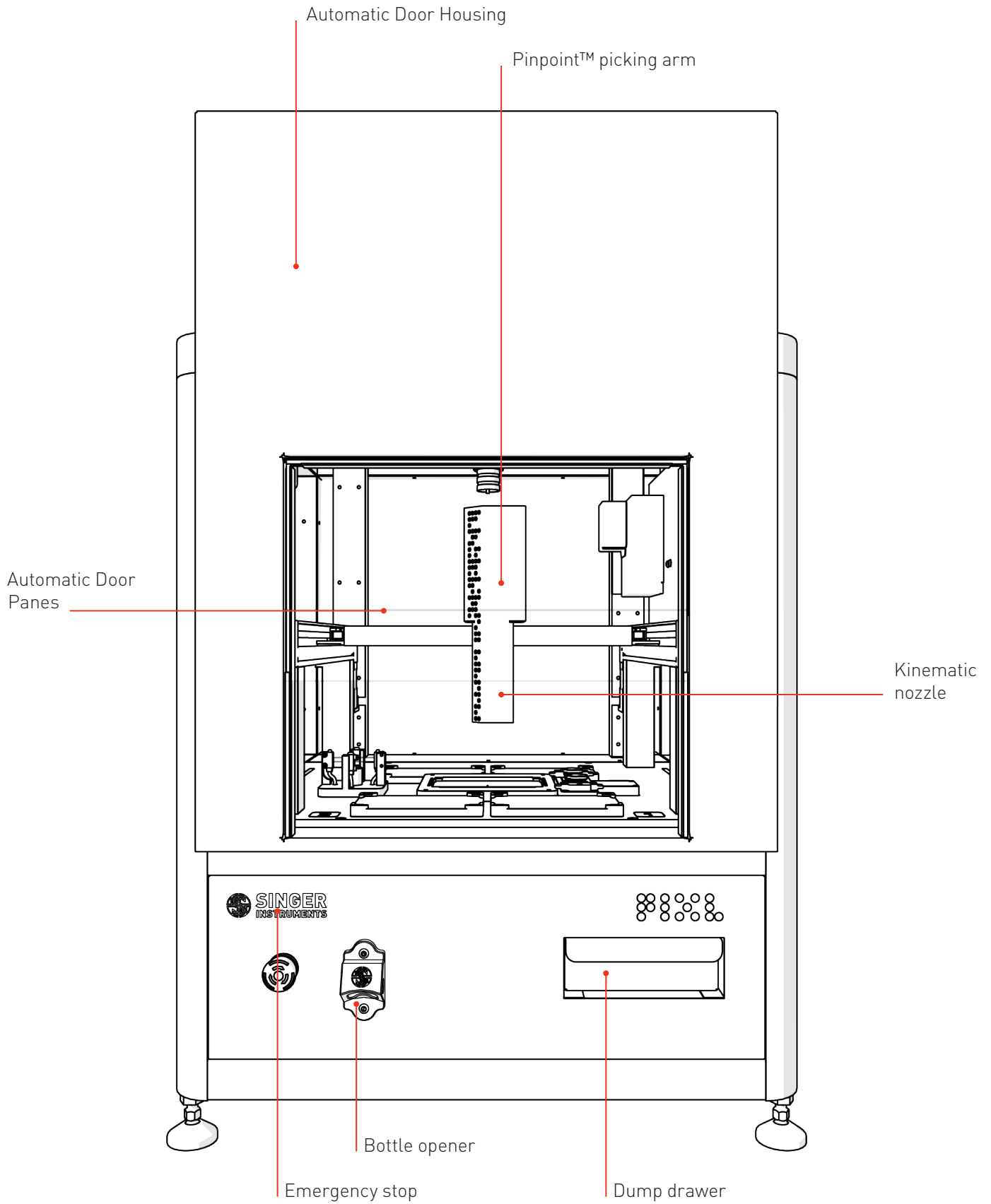
### **FULL USER GUIDE AVAILABLE HERE:**



**[bit.ly/PIXLguide](https://bit.ly/PIXLguide)**

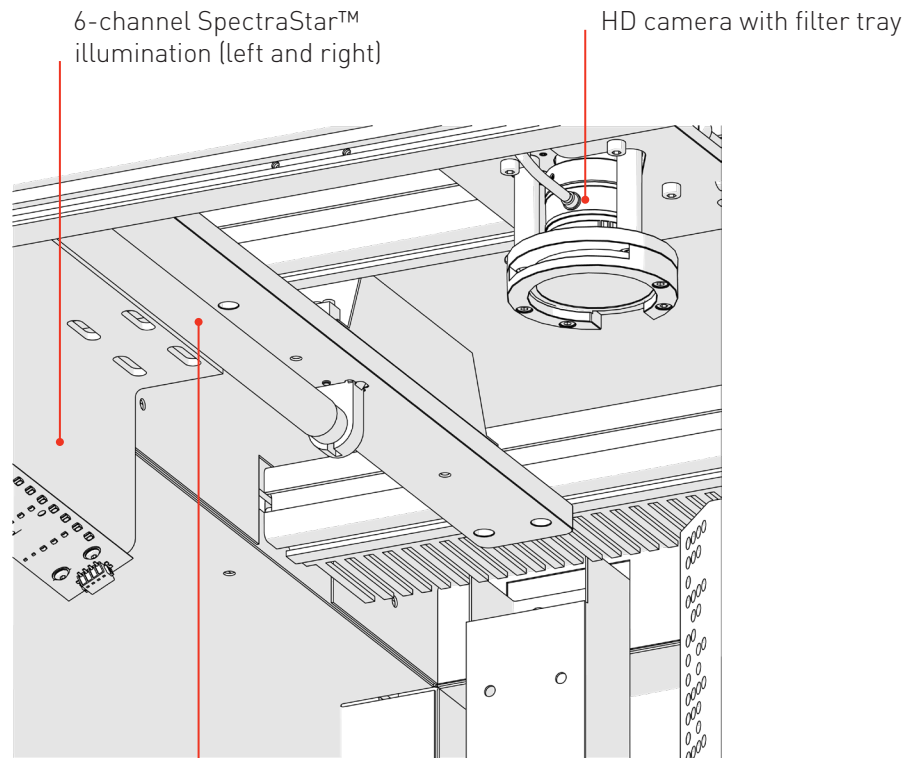
## ANATOMY & FEATURES

### FRONT

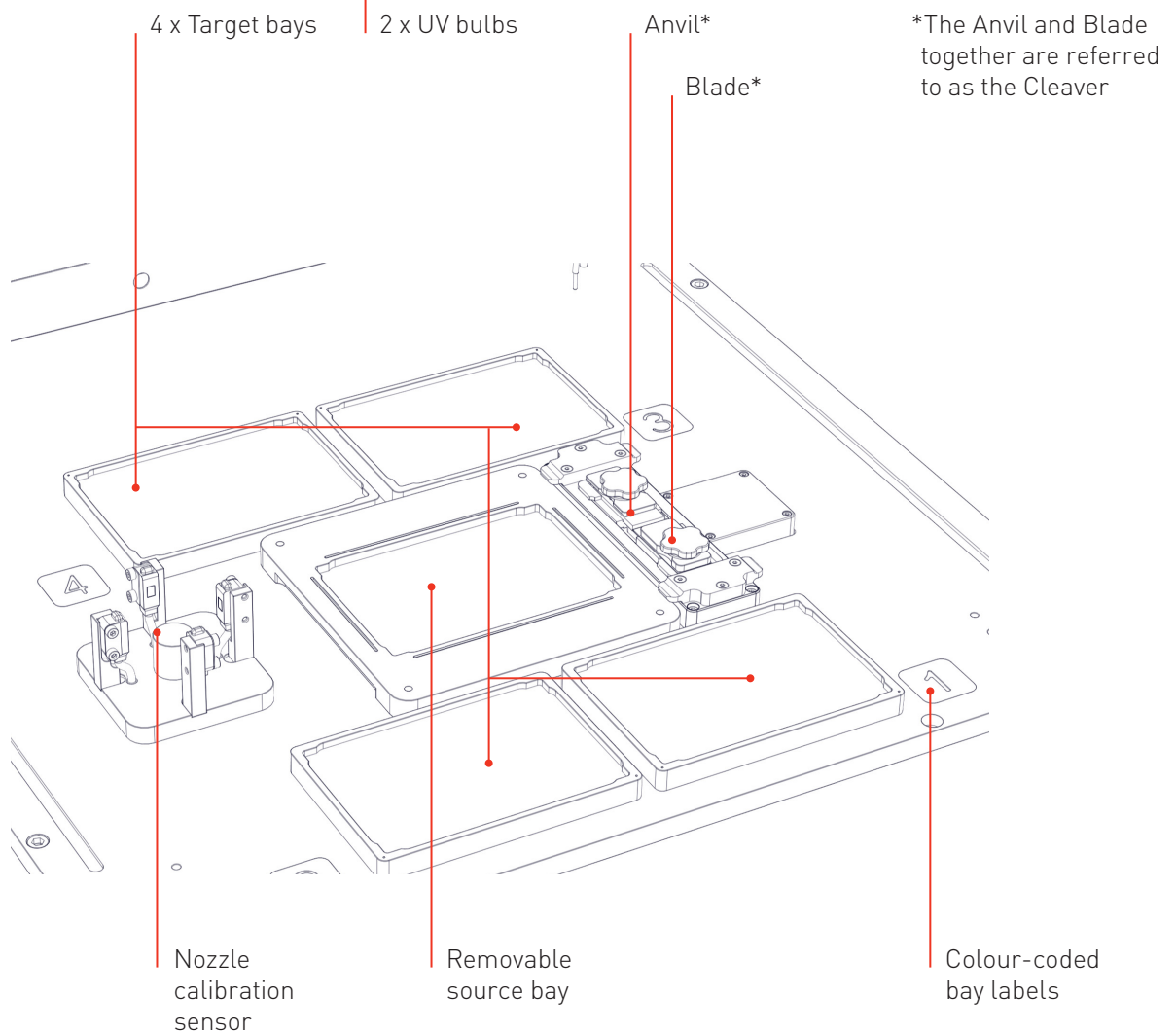


## ANATOMY & FEATURES

### CAMERA & LIGHTING



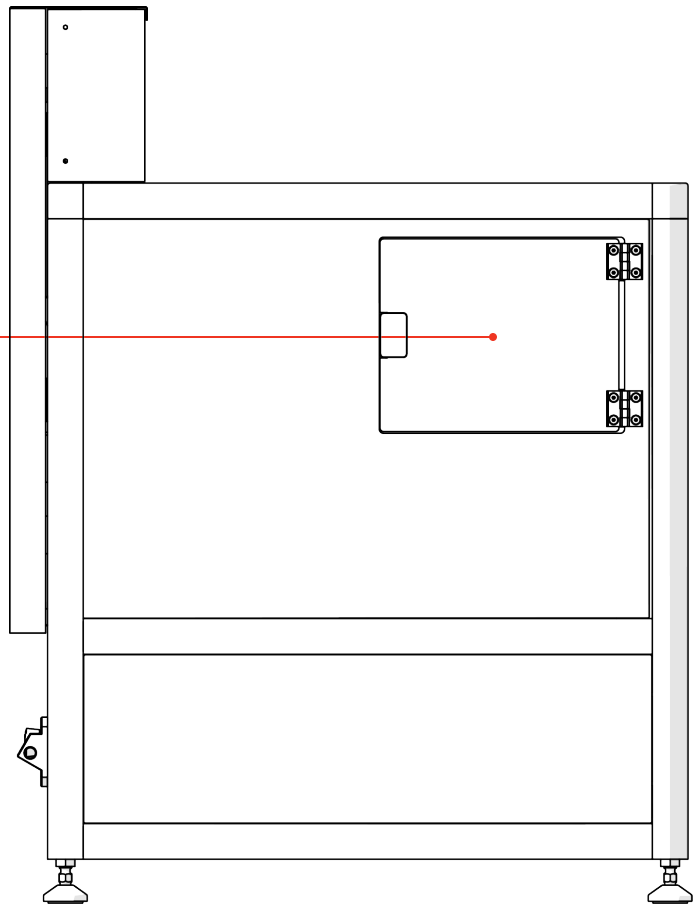
### PLATE BAYS



## ANATOMY & FEATURES

RIGHT

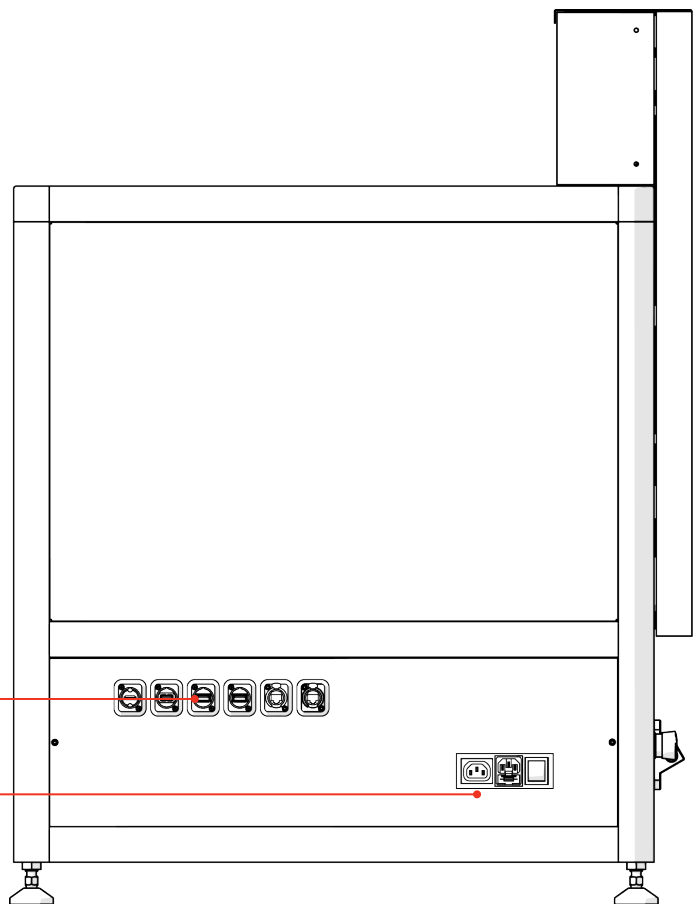
PickupLine™  
compartment



LEFT

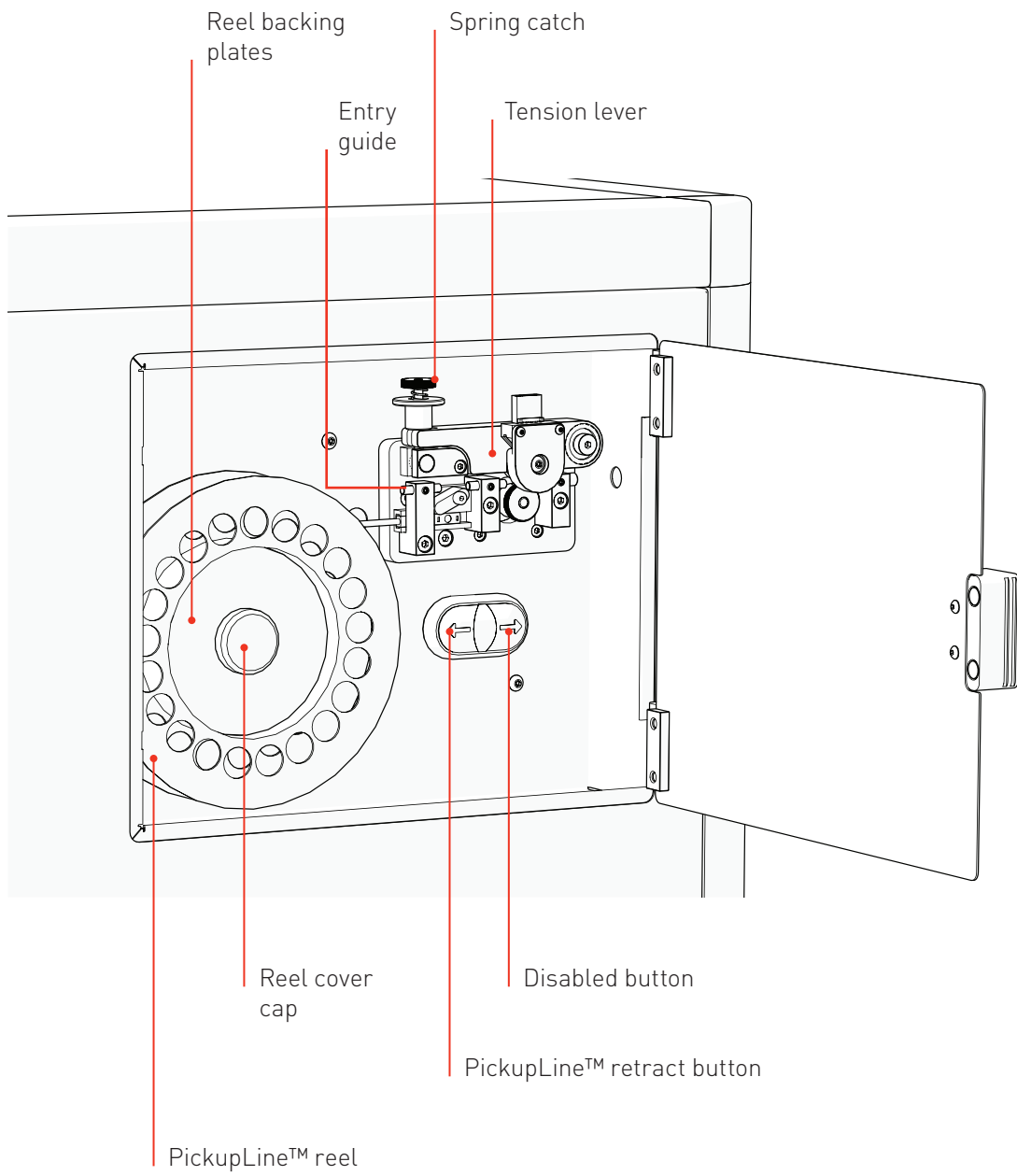
Connections:  
1 x HDMI  
1 x USB 3.0  
2 x USB 2.0  
2 x RJ45

Power switch



## ANATOMY & FEATURES

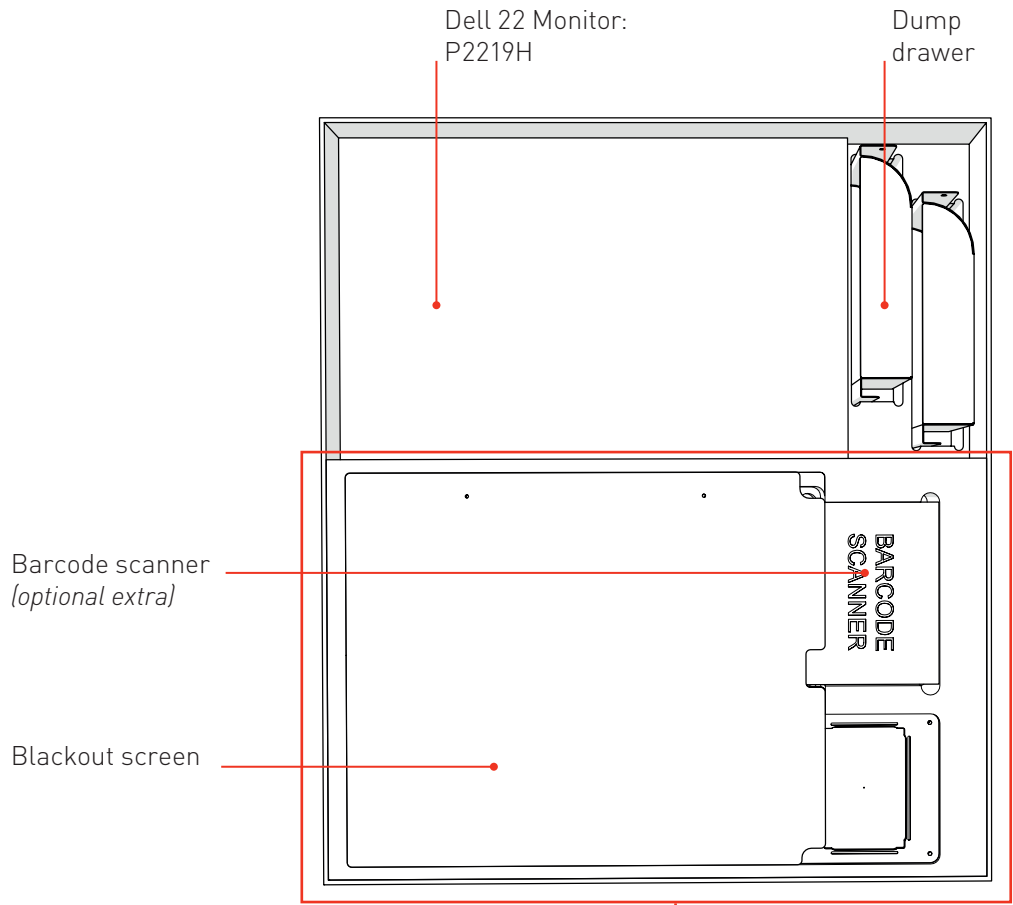
### PICKUPLINE™ COMPARTMENT



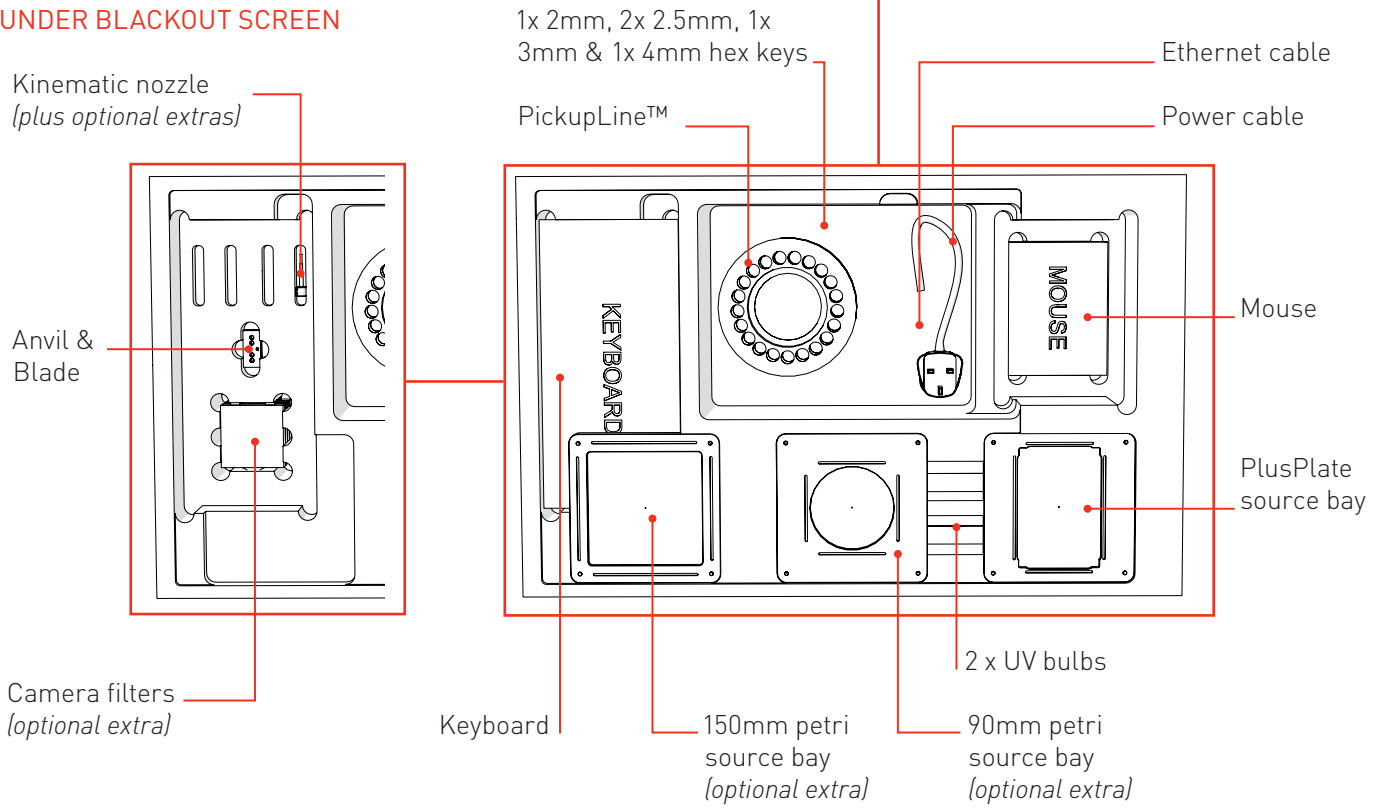


**ANATOMY & FEATURES**

**ACCESSORIES**

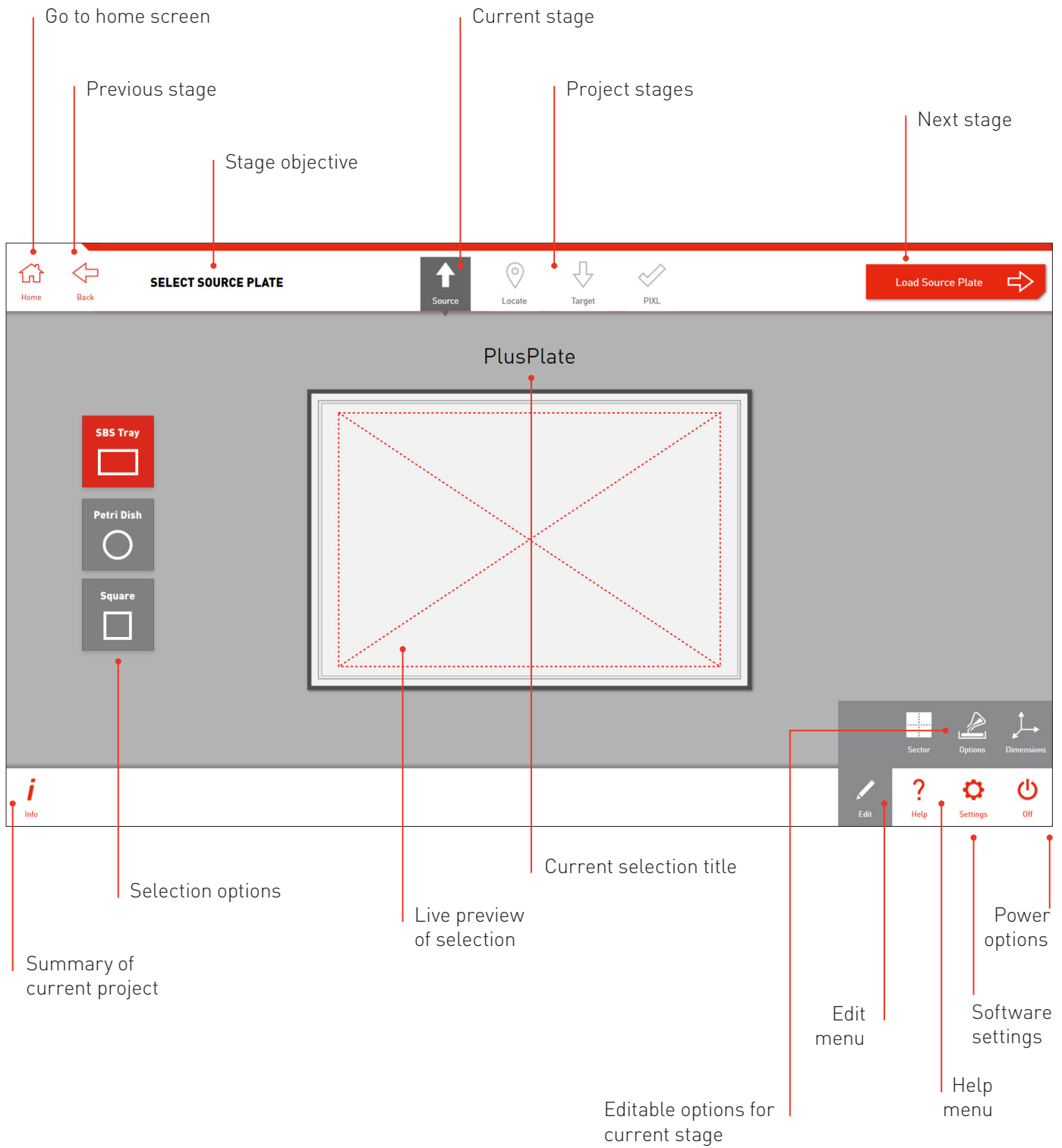


**UNDER BLACKOUT SCREEN**

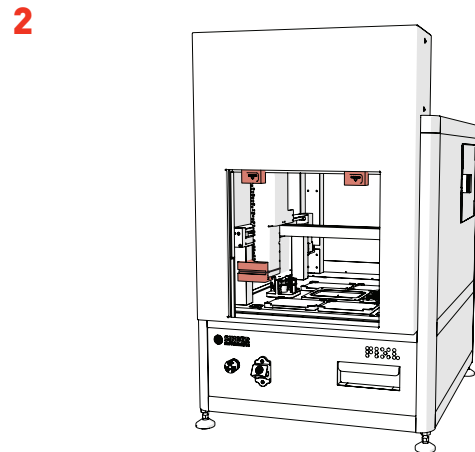
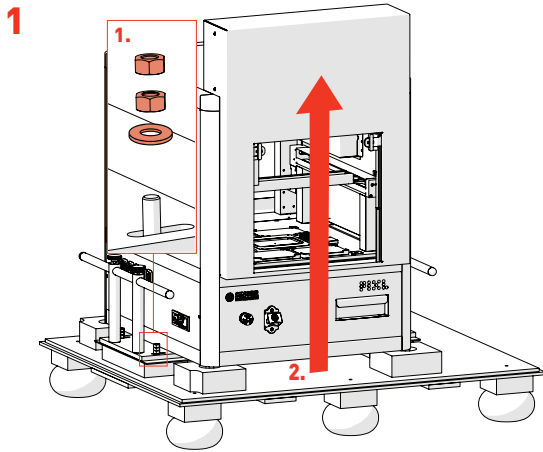


# ANATOMY & FEATURES

## SOFTWARE

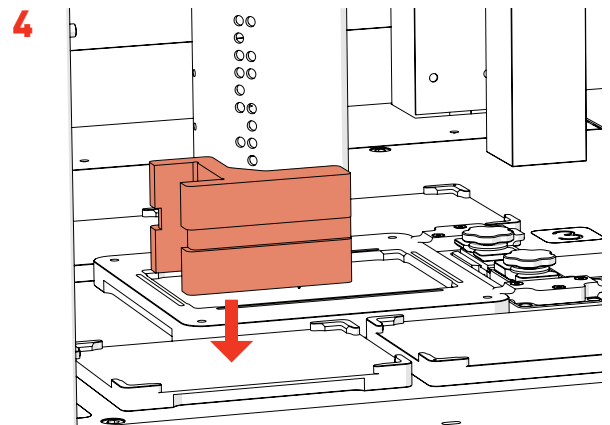
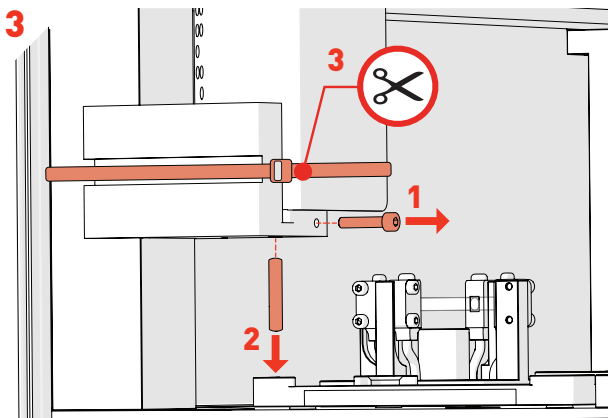


## UNBOXING & ASSEMBLY



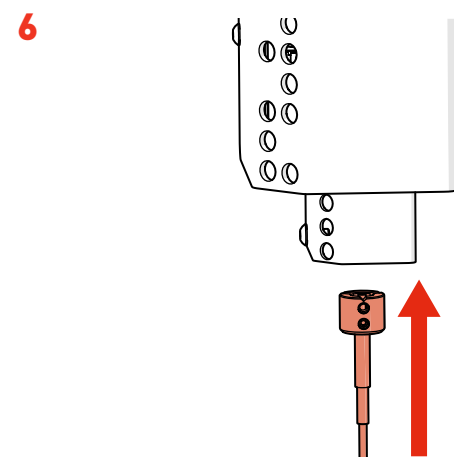
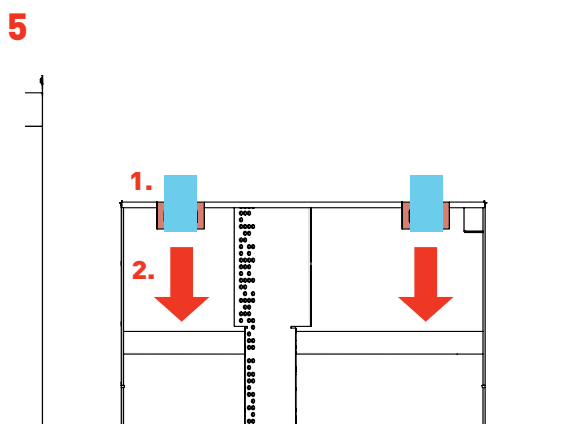
- Remove *Packing Crate Side Panels* and locking nuts (1).
- Carefully lift the PIXL and Place on a sturdy desk (2).
- **HEAVY: Minimum of 4 people recommended**

- To remove the *Red Transit Brackets* follow steps 3-5 below.



- Use *3mm Hex Key* to undo *Side Screw* (1), then remove *Securing Rod* (2). Cut the cable tie securing the floating head transit bracket with a pair of scissors (3).

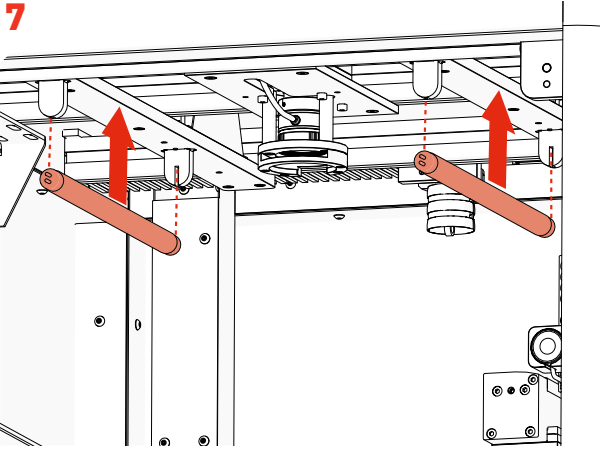
- Position the floating head in the middle of the machine and remove the transit bracket.



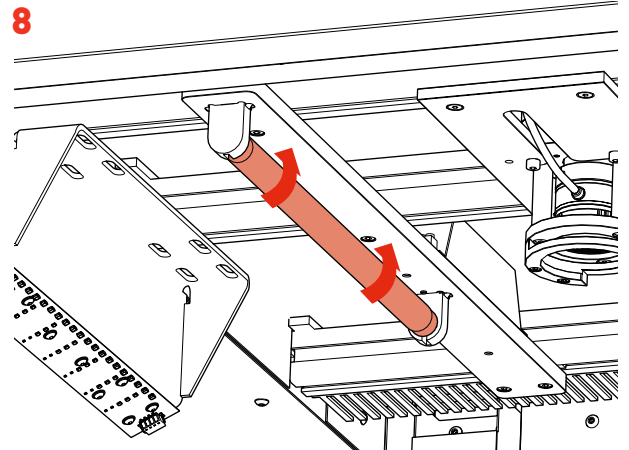
- Remove the blue tape from the *Door transit brackets* (1) Pull both *Door transit brackets* with a downward motion to remove (2).

- Attach the *Kinematic Nozzle* onto the securing magnetic ring.
- Ensure the screws are at the front of the nozzle.

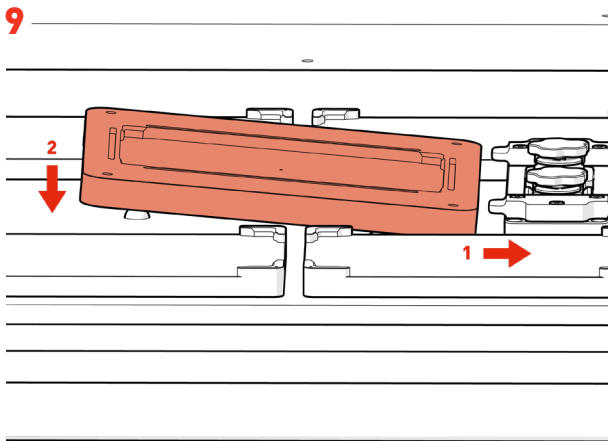
## UNBOXING & ASSEMBLY



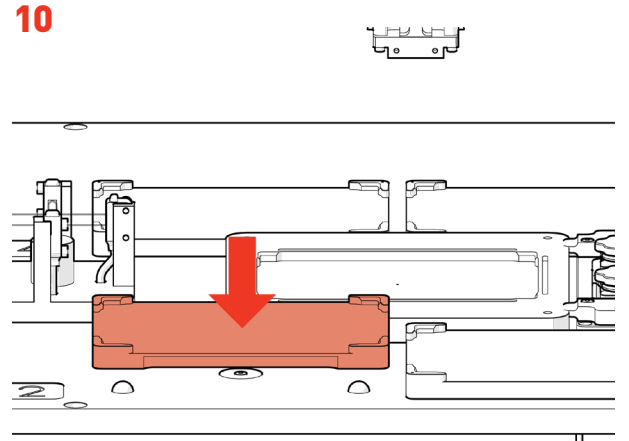
- Remove the 2 *UV Bulbs* from their protective box and slide between the *UV Sockets* attached to the roof of the main cabinet.
- **NOTE:** Wear gloves.



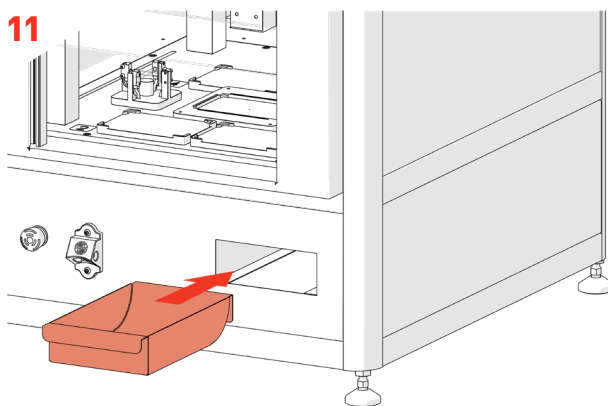
- To lock into place, turn each *UV Bulb* 90 degrees in any direction until you hear a click.



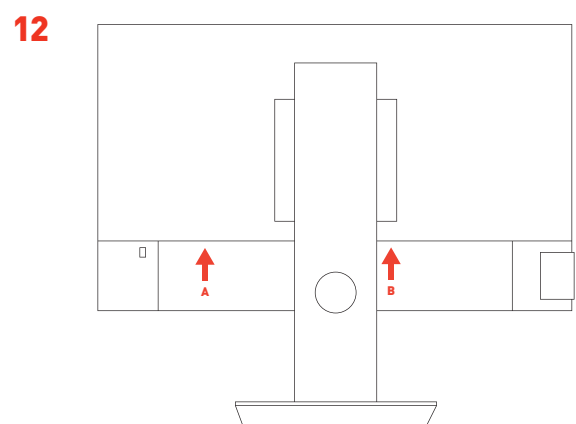
- Install the *Source Bay* by sliding the right side under the *Cleaver Tabs* (1), then lowering the left side onto the magnetic base (2).



- If you have a Maldi compatible PIXL, install the removeable target bay in the Bay 2 position.



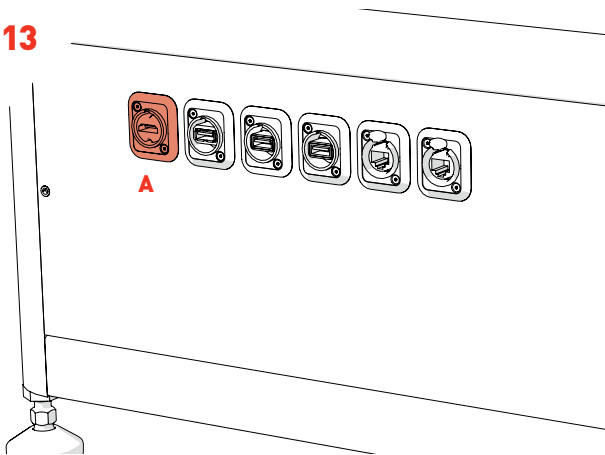
- Ensure the *Dump Drawer* is installed.



- Plug in the provided Screen cables: *Power (A)* and *HDMI (B)*.

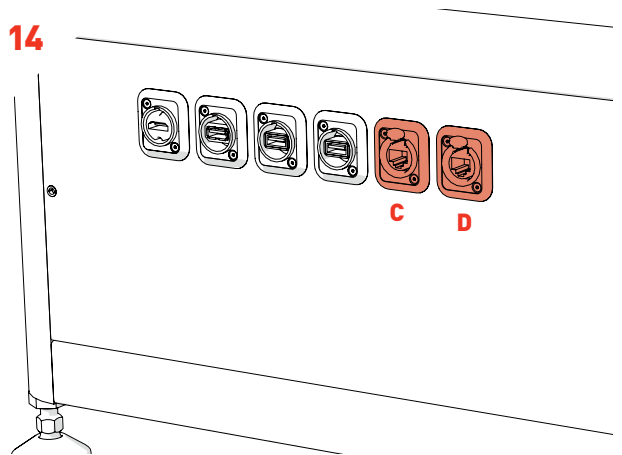
## UNBOXING & ASSEMBLY

13



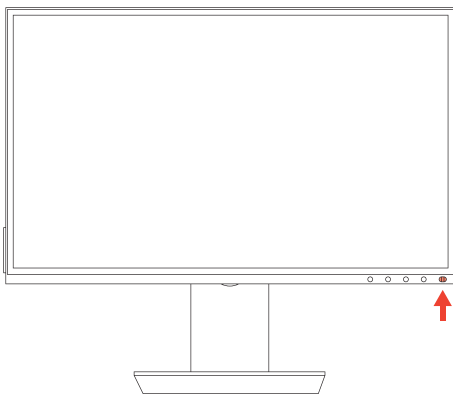
- Connect the Screen to the PIXL: *HDMI (A)*.
- If using the Bluetooth mouse/keyboard, place the Bluetooth dongle into an available USB slot.

14



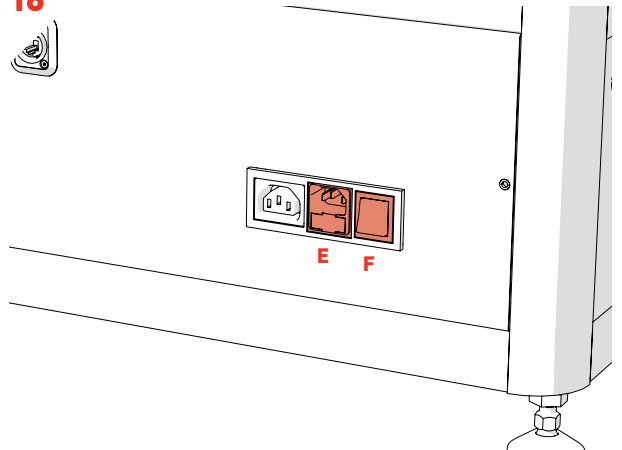
- For remote access and software upgrades, connect an *Ethernet Cable* to the right *RJ45 Socket (D)*.
- For internal network access, connect an *Ethernet Cable* to the left *RJ45 Socket (C)*.

15



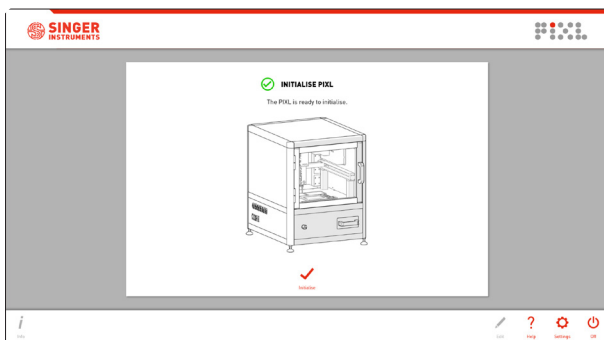
- Turn on the *Screen Power Switch*.

16



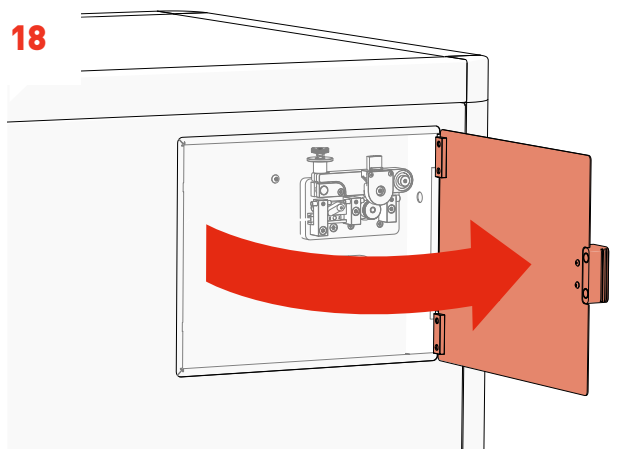
- Plug in the *PIXL Power Cable (E)* and press the *Power Switch (F)*.
- The Screen will also turn on.

17



- After initialising follow on-screen instructions for *PickupLine™* installation.

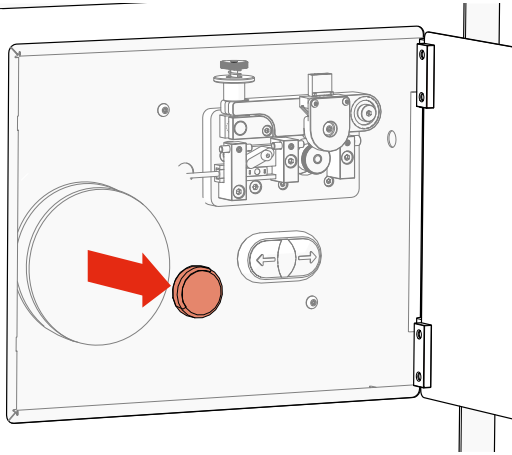
18



- Open the *PickupLine™* Compartment.

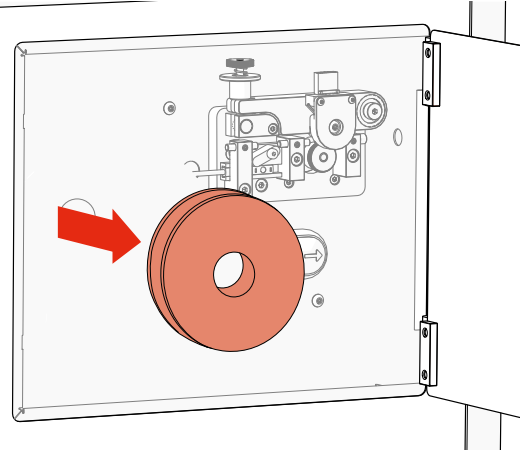
## UNBOXING & ASSEMBLY

19



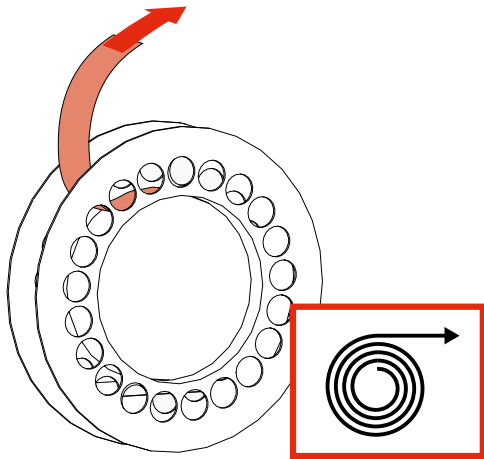
- Remove the *Reel Cap Cover*.

20



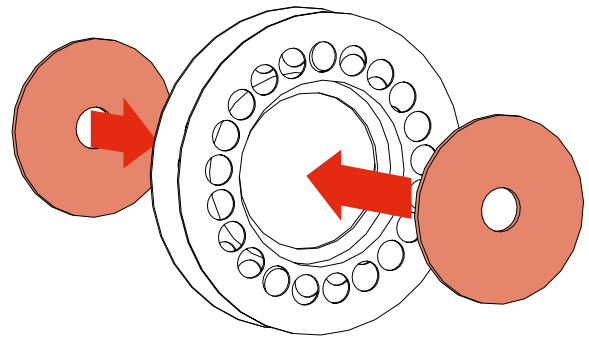
- Remove the *Reel Backing Plates*.

21



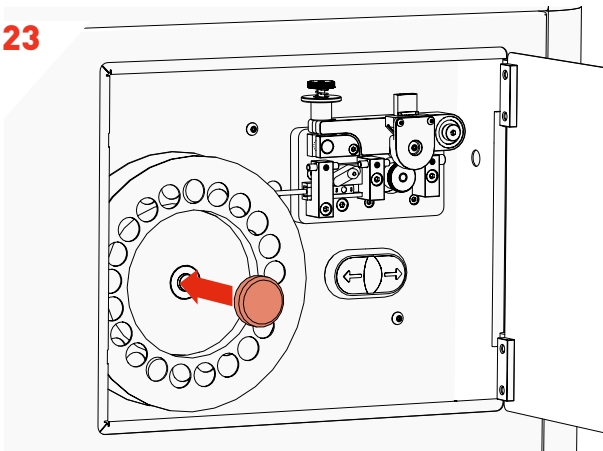
- Remove the new *PickupLine™ Reel* from its sterile packet and dispose of the *Securing Tape/Velcro*.

22



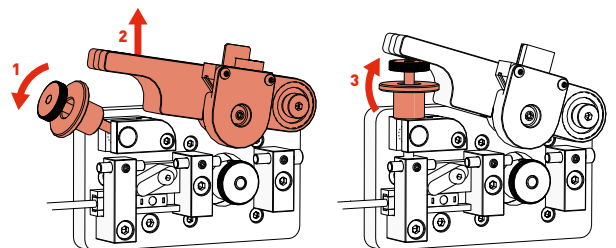
- Fit the *Reel Backing Plates* into new the *PickupLine™ Reel*.

23



- Fit the new *PickupLine™ Reel* ensuring it feeds in a clockwise direction.
- Replace the *Reel Cap Cover*.

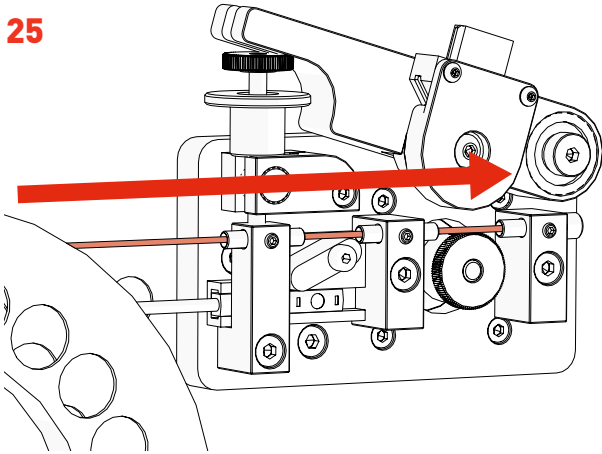
24



- Carefully lift the *Tension Lever* and rest it on the *Spring Catch* as shown.

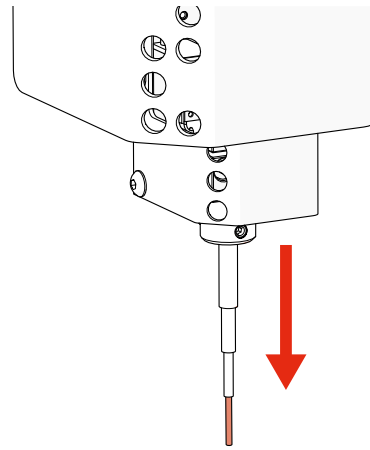
## UNBOXING & ASSEMBLY

25



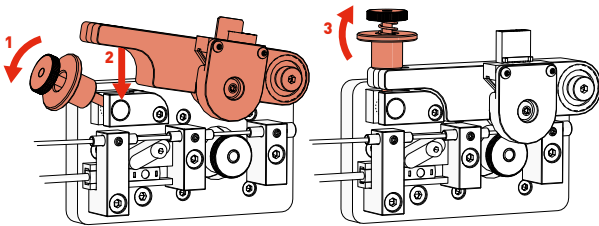
- Gently feed the *PickupLine™* by hand through the 3 *Entry Guides*. The *PickupLine™* is sterilised at the nozzle but for extra sterility gloves should be worn.
- If you meet resistance, pull back slightly and re-feed.

26



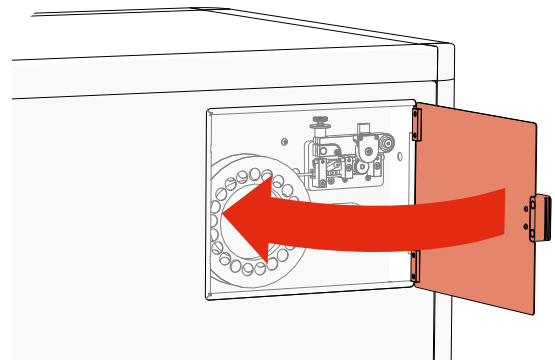
- Feed the *PickupLine™* until it protrudes 10mm from the *Kinematic Nozzle*.

27



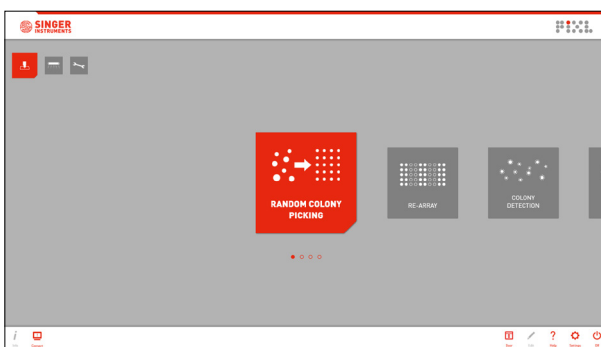
- Reset the *Tension Lever*.

28



- Close the *PickupLine™ Compartment*.

29



- Boom! You're ready to PIXL!

## TROUBLESHOOTING

---

### PROBLEM

Plate guides could not be detected

The PickupLine™ hits the top plate as the picking arm moves between positions

The PIXL is missing colonies.

Blades wear down quickly.

### SOLUTION

Ensure that a source plate holder is installed into the PIXL.

Ensure that the plate dimensions in the software match that of the plate being used. If the plate type is unsupported please contact [technicalsupport@singerinstruments.com](mailto:technicalsupport@singerinstruments.com) and we'll make a new dimensions file for the plate.

Ensure that the nozzle has been calibrated by running the 'Calibrate Nozzle' routine in the software. Ensure that the Detect automatically' option is selected for 'Agar Depth'.

Please correctly follow instructions for changing the blade in the PIXL software.



For more support resources visit  
[bit.ly/PIXLhelp](https://bit.ly/PIXLhelp)







# SINGER INSTRUMENTS

A RESPONSIBILITY TO SCIENCE!

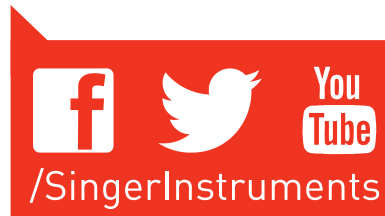
Roadwater  
Watchet  
Somerset  
TA23 0RE  
UK

+44 (0)1984 640226 (tel)  
+44 (0)1984 641166 (fax)

[contact@singerinstruments.com](mailto:contact@singerinstruments.com)  
[singerinstruments.com](http://singerinstruments.com)



**SCAN TO VISIT WEBSITE FOR MORE  
HELPFUL TIPS AND TUTORIALS!**



## DISCLAIMER

At Singer Instruments, we are constantly seeking to improve our products and adapt them to the requirements of modern research techniques and testing methods. This involves modification to the mechanical structure and optical design of our instruments. Therefore, all descriptions and illustrations in this user guide, including all specifications are subject to change without notice.