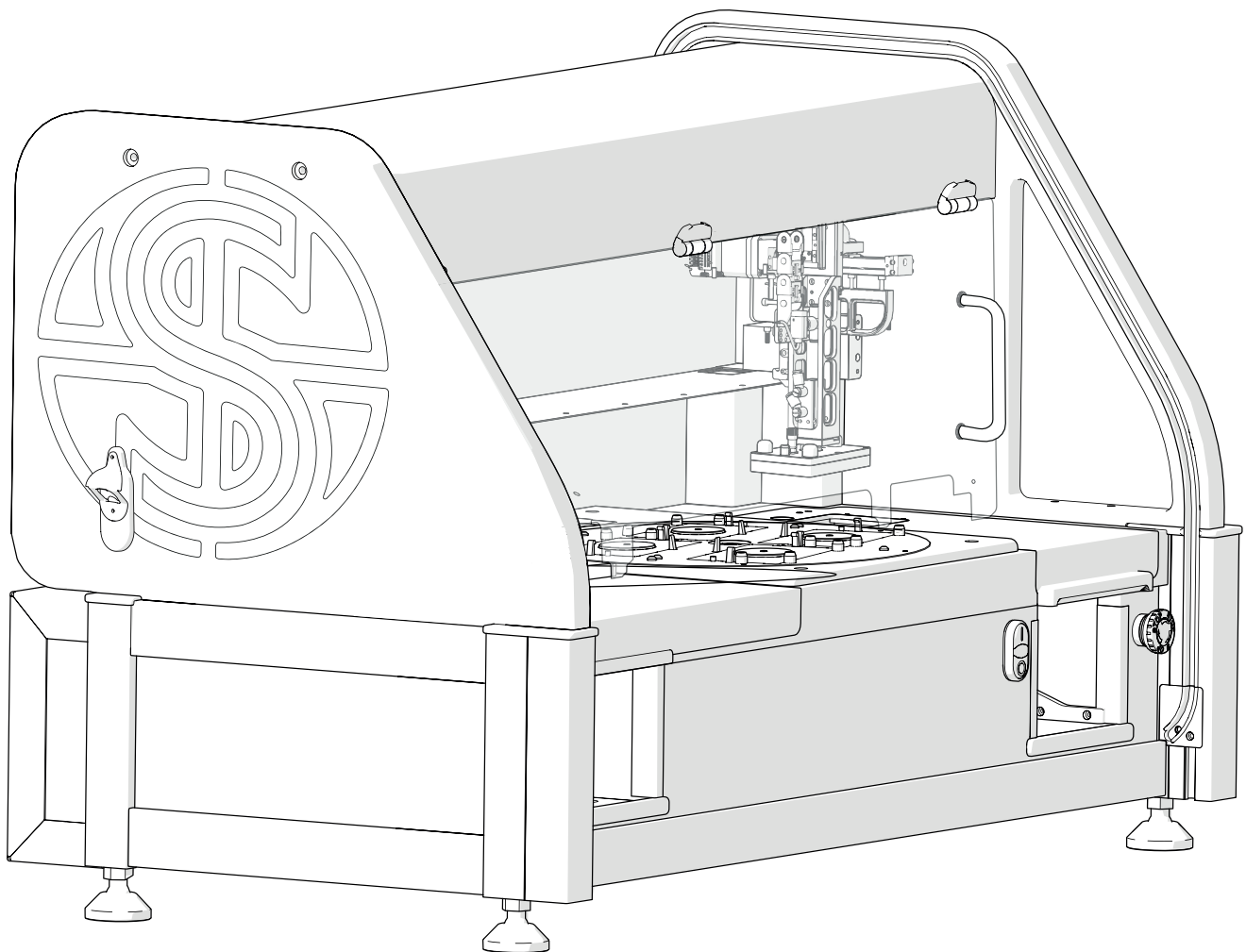


ROTOR[®]

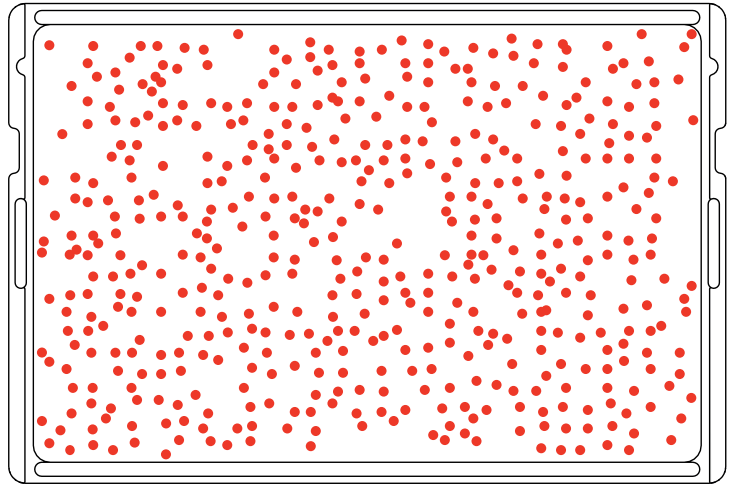
H D A



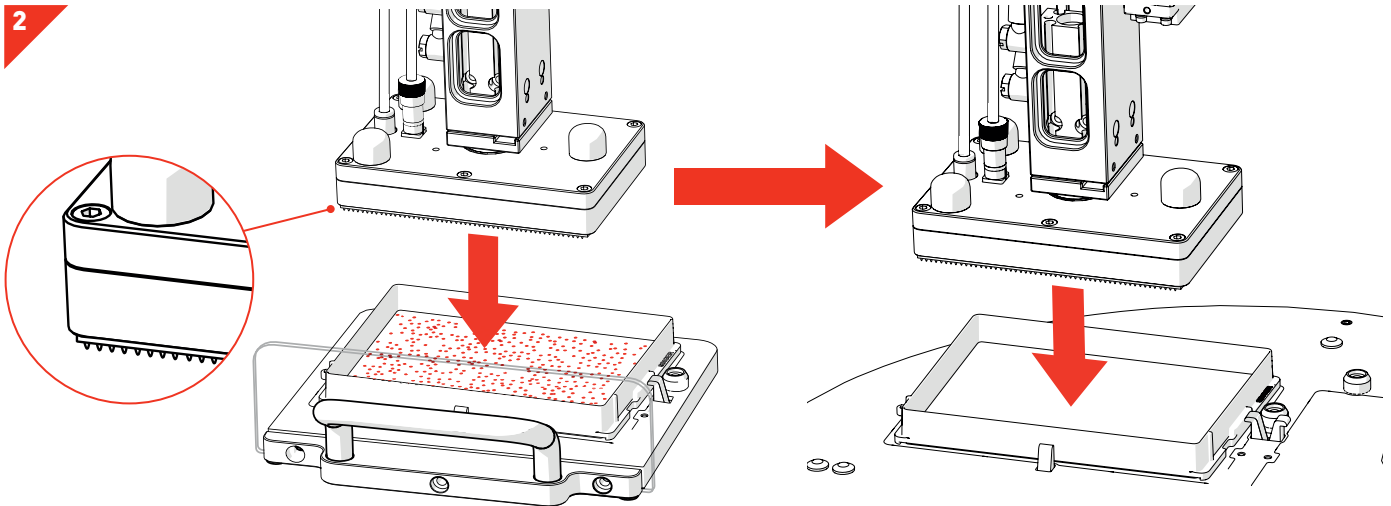
RANDOM COLONY SCREENING

1

- A yeast culture of interest is evenly plated on the PlusPlate®

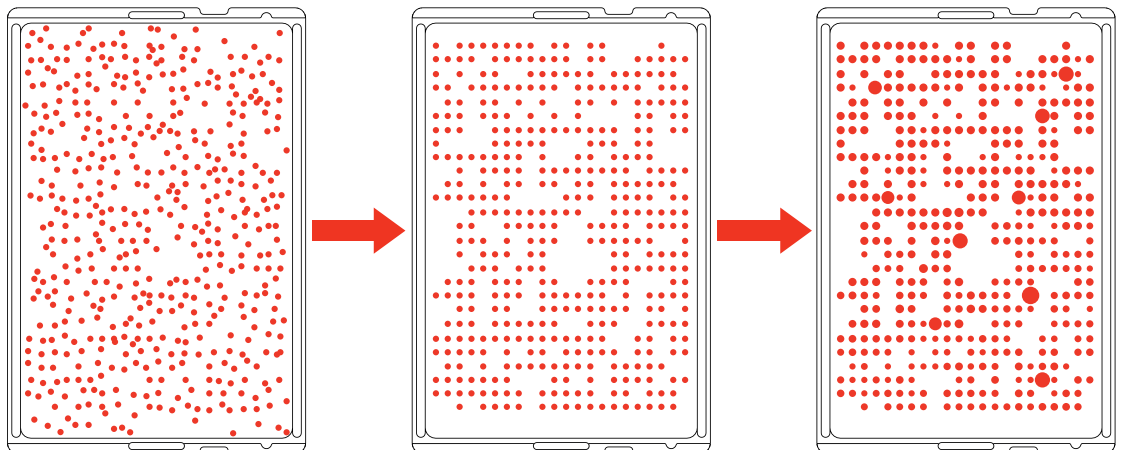


2



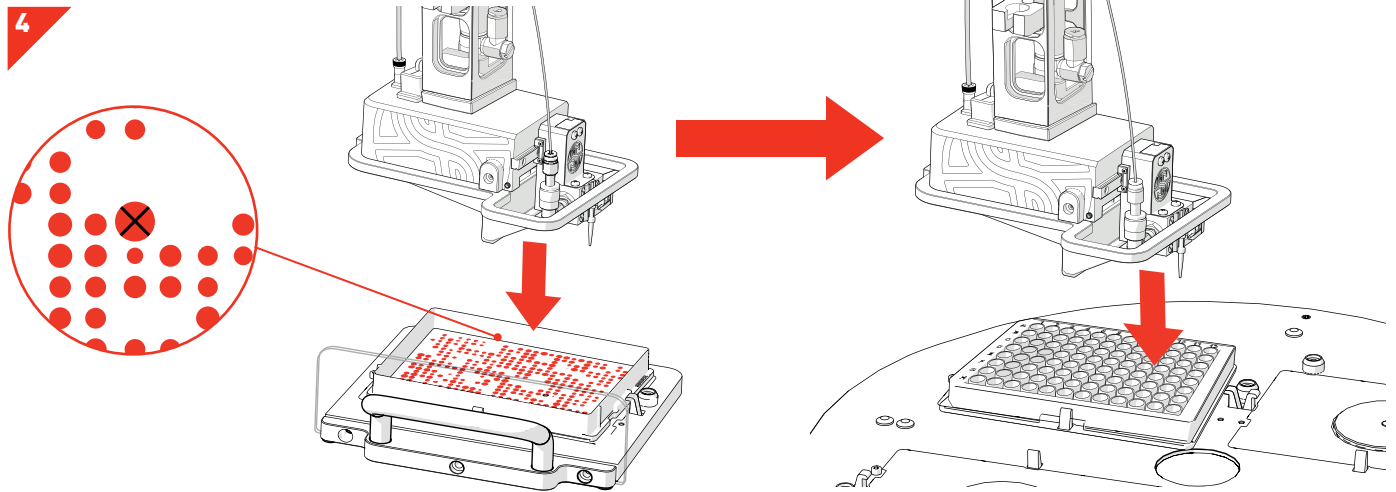
- A 1536-density RePad® is used to collect randomly plated cells that happen to grow on a 1536 grid.
- The ROTOR arm moves to a target area and deposits the cells on an empty agar plate.

3



- The cells are grown in a particular condition to select for interesting phenotypes.

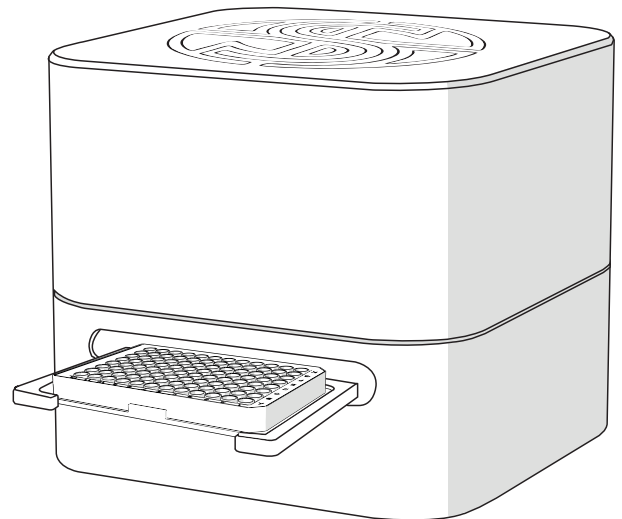
RANDOM COLONY SCREENING



- After growth, The Stinger is used to transfer the colonies of interest from the agar plate to a microtiter plate.

5

- The microtiter plate can then be used for downstream analysis such as growth curves and fluorescence using other instruments.





SINGER INSTRUMENTS

A RESPONSIBILITY TO SCIENCE!

Roadwater,
Watchet,
Somerset.
TA23 0RE
UK

+44 (0)1984 640226 (tel)
+44 (0)1984 641166 (fax)

contact@singerinstruments.com
singerinstruments.com



**SCAN TO VISIT WEBSITE FOR MORE
HELPFUL TIPS AND TUTORIALS!**



/SingerInstruments