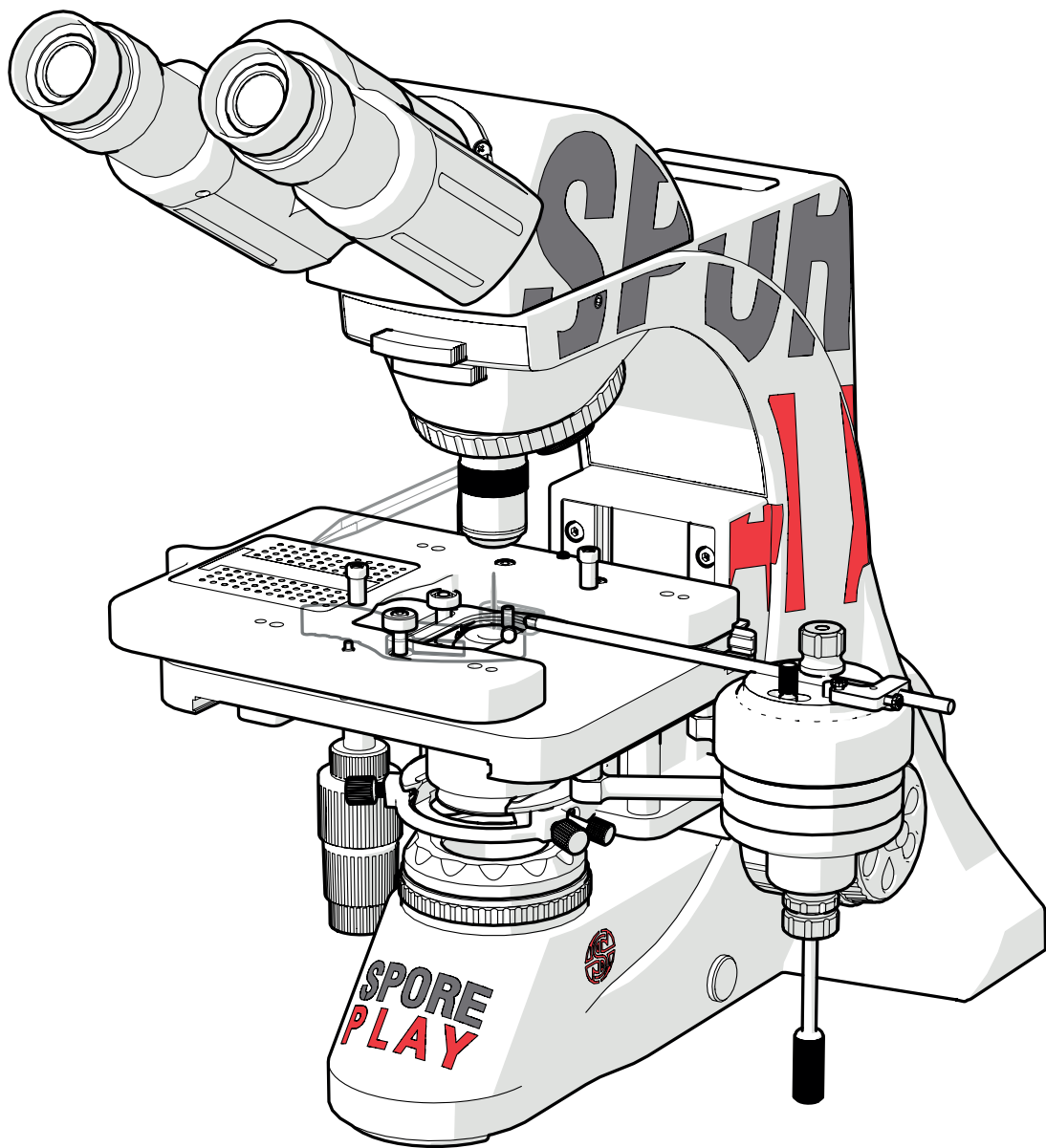


USER GUIDE

SPORE[®]

P L A Y



<i>PAGE</i>	<i>DESCRIPTION</i>
4-5.	MICROSCOPE FEATURES Anatomy & features
6.	BASIC FUNCTIONS Adjusting nosepiece Powering up Adjusting lamp brightness Maintaining your SporePlay
7.	STAGE & INDEX POINTER SYSTEM X, Y & Z Axis Adjustment Petri dish mount Index Pointer System
8-.9	MICROMANIPULATOR Unlock/lock mechanism X, Y, Z Axis joystick control Tool holder clamp Y Axis control lock
9.	TOOL HOLDER Pinch release function
10-11.	Notes

SPOREPLAY

INTRODUCTION

The SporePlay[®] Modular Microscope Platform is an elegant, ergonomic and compact microscope for manual yeast and fungal tetrad dissection. With the integrated micromanipulator and index pointer, the SporePlay[®] makes manual dissection as easy as it has ever been!

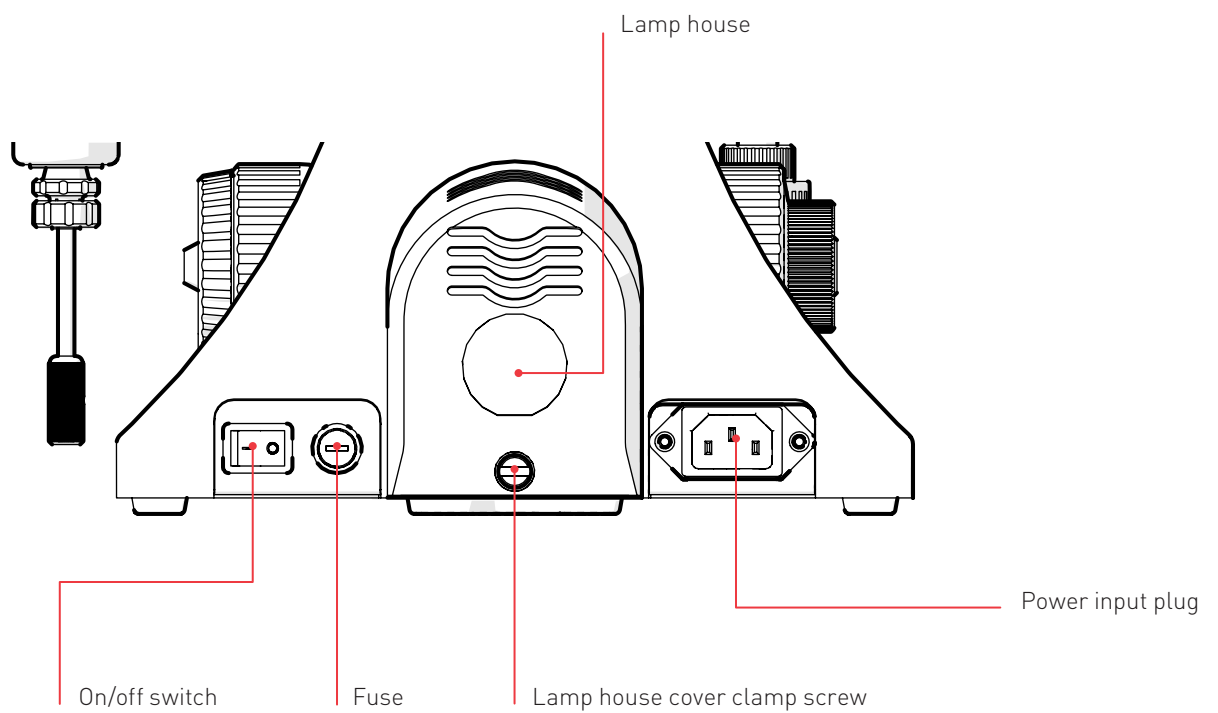
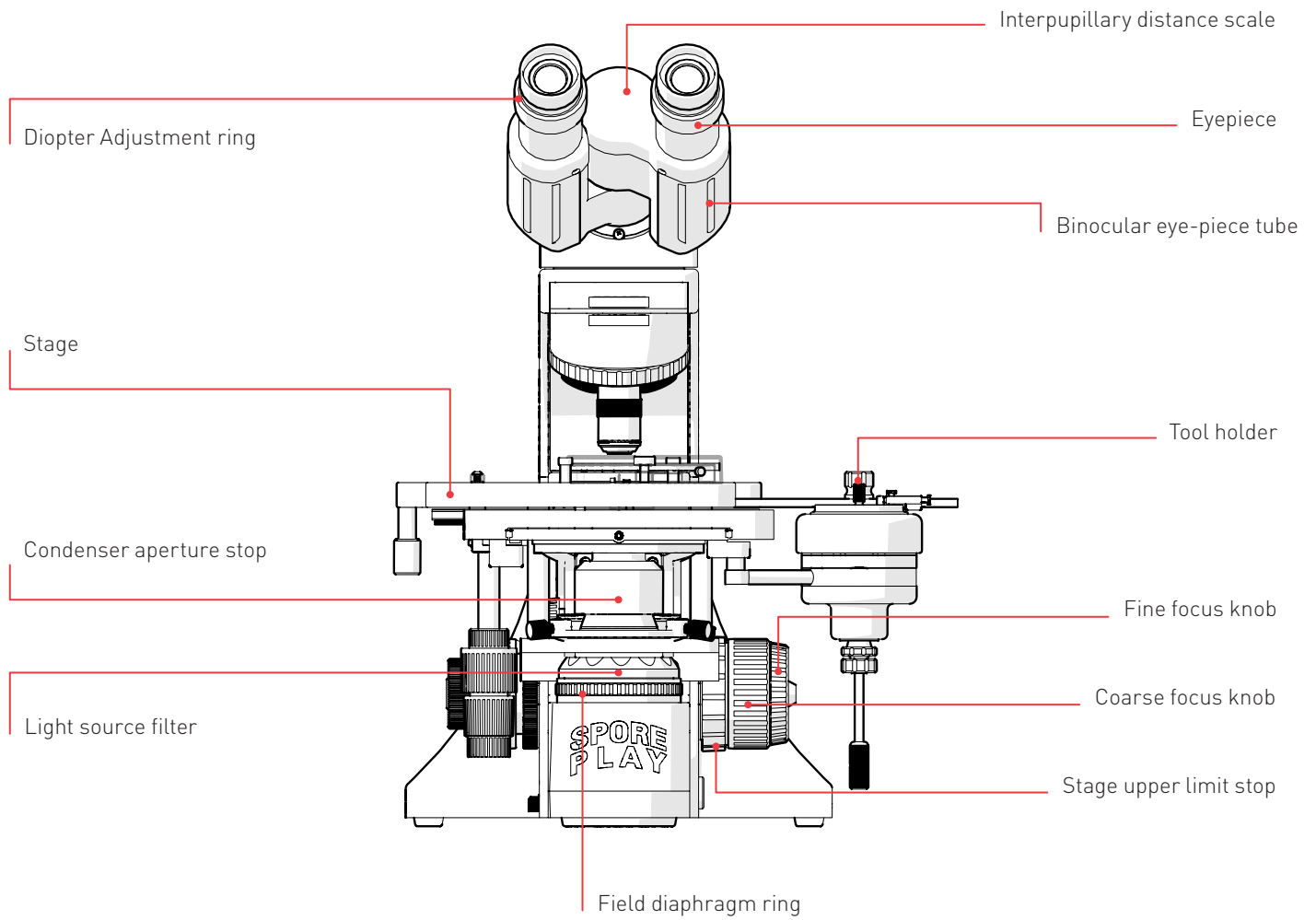
USER GUIDE

Follow these instructions to get the most out of the SporePlay[®] Modular Microscope Platform. This guide outlines basic functions of the SporePlay[®] as well as useful tips for all the features. Read through this guide and you'll be ready for the exciting world of ultra-fast and precise manual dissection

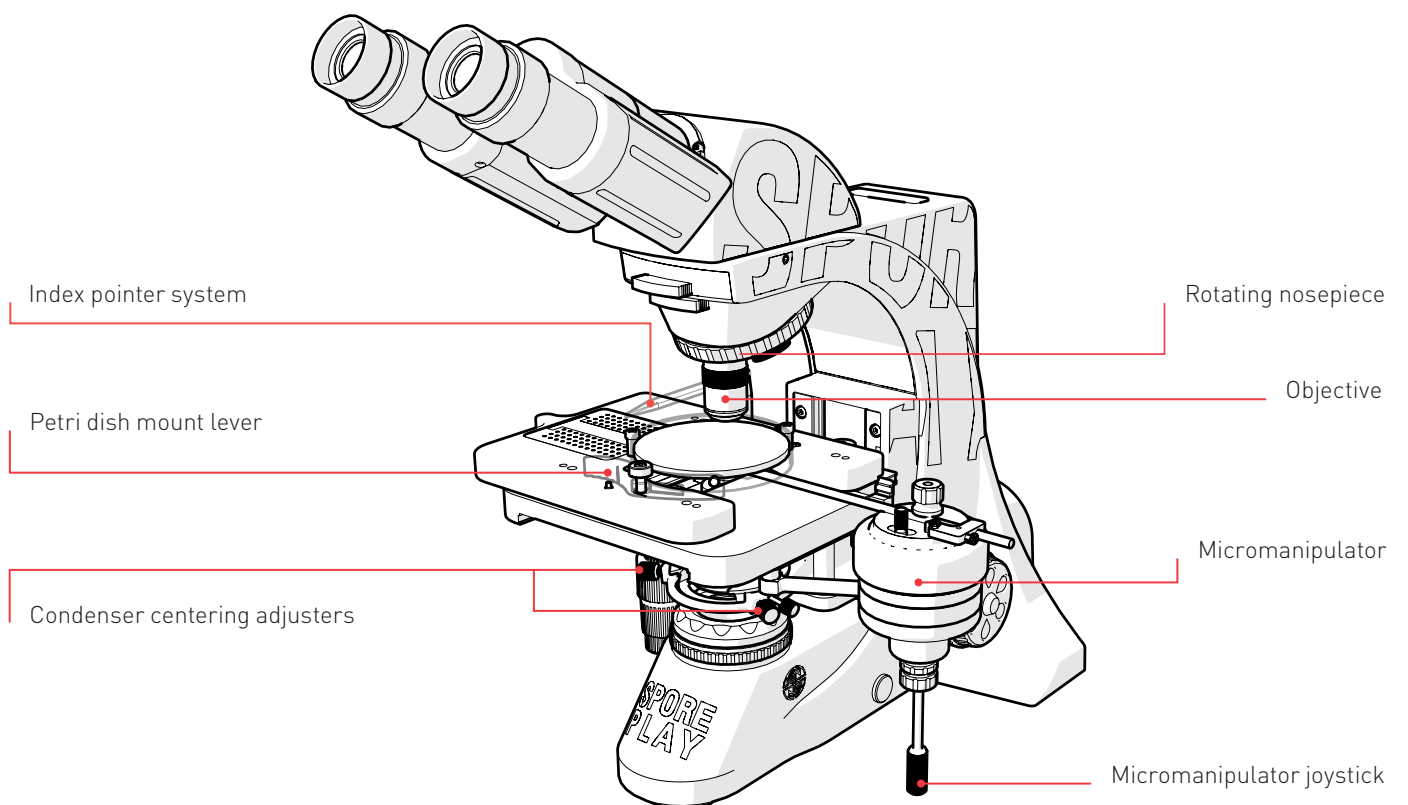
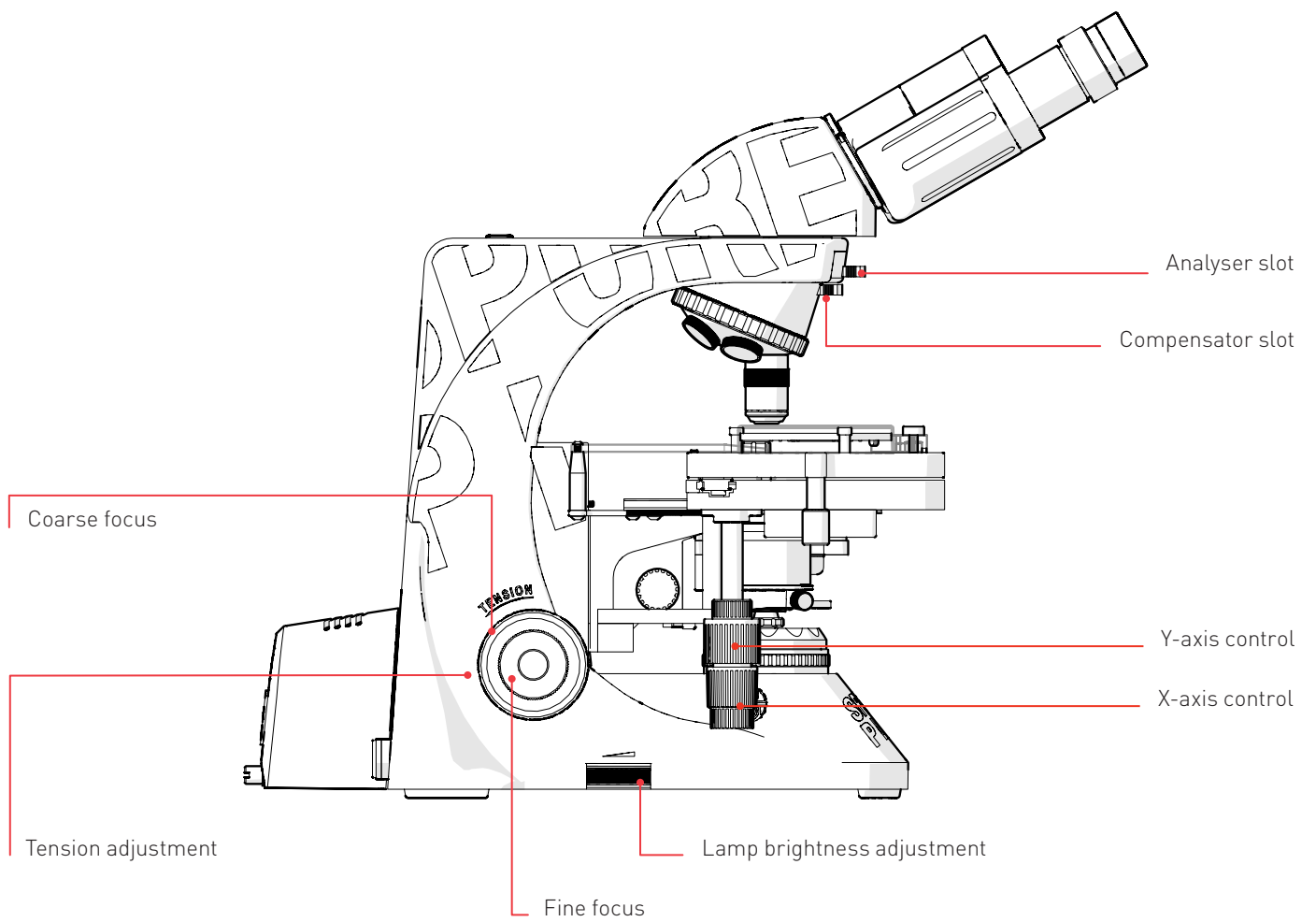
DISCLAIMER

At Singer Instruments, we are constantly seeking to improve our products and adapt them to the requirements of modern research techniques and testing methods. This involves modification to the mechanical structure and optical design of our instruments. Therefore, all descriptions and illustrations in this user guide, including all specifications are subject to change without notice.

ANATOMY & FEATURES



ANATOMY & FEATURES

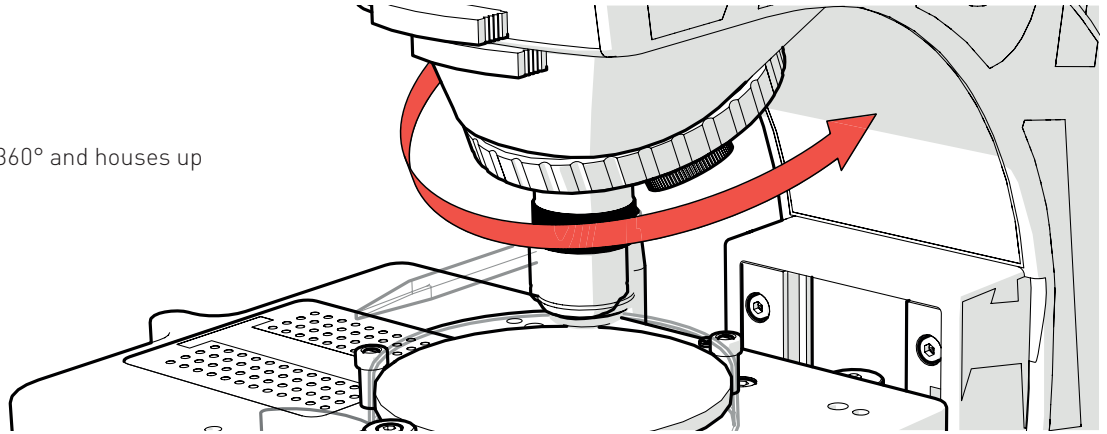


BASIC FUNCTIONS

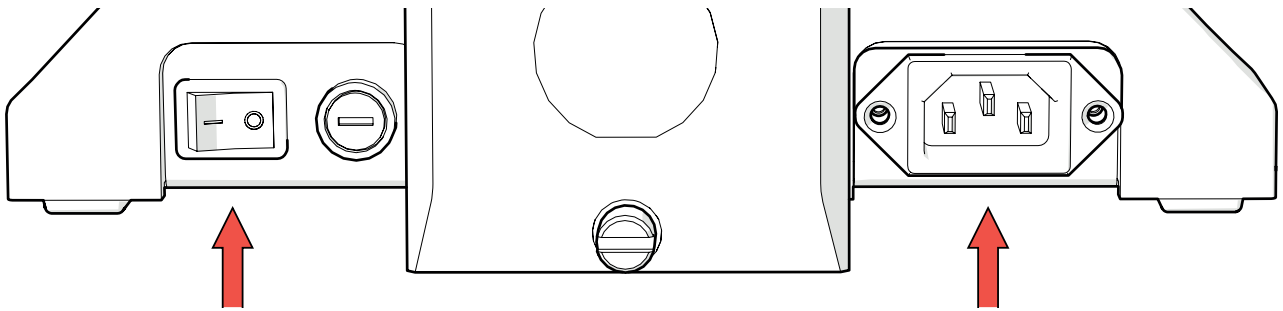
1

ADJUSTING NOSEPIECE

The nosepiece can rotate 360° and houses up to 5 objectives.



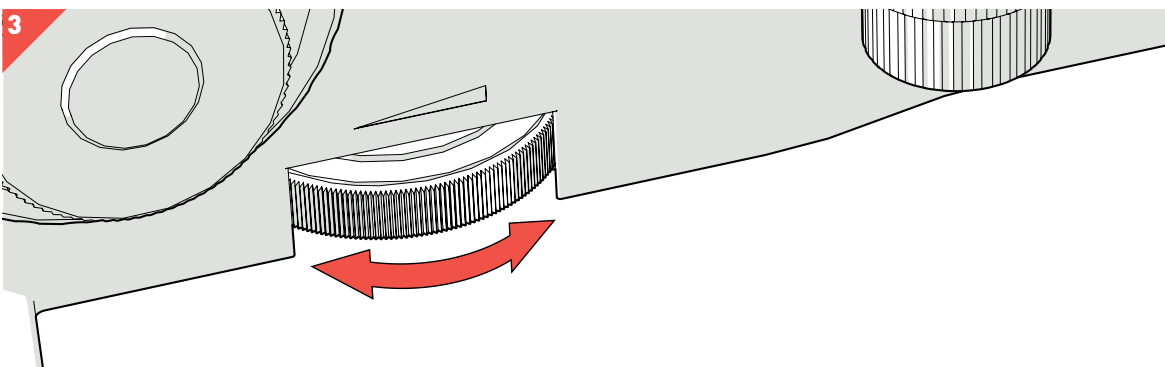
2



POWERING UP

Plug in and turn on with the power switch at rear.
Check fuse and lamp if nothing happens.

3



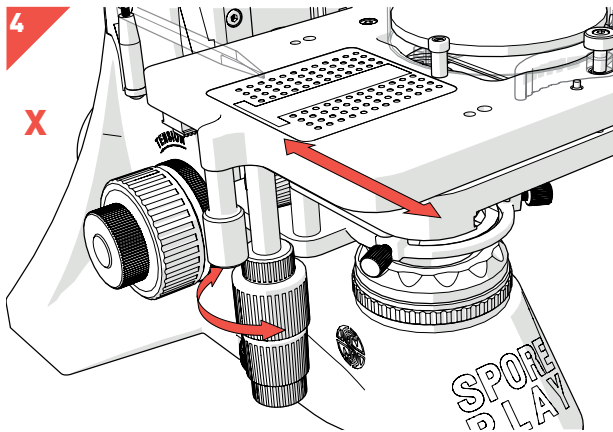
ADJUST LAMP BRIGHTNESS

If a brighter light is required, turn dial clockwise, likewise, turn anticlockwise to dim.

MAINTAINING YOUR SPOREPLAY

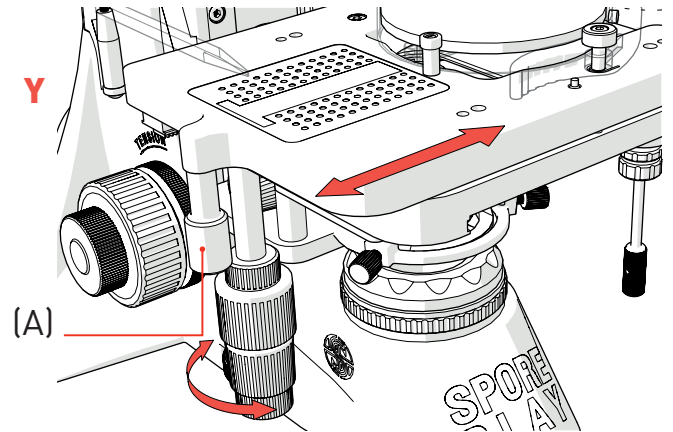
Cover when not in use and keep clean.
CAUTION: DO NOT USE SOLVENTS.

STAGE & INDEX POINTER SYSTEM

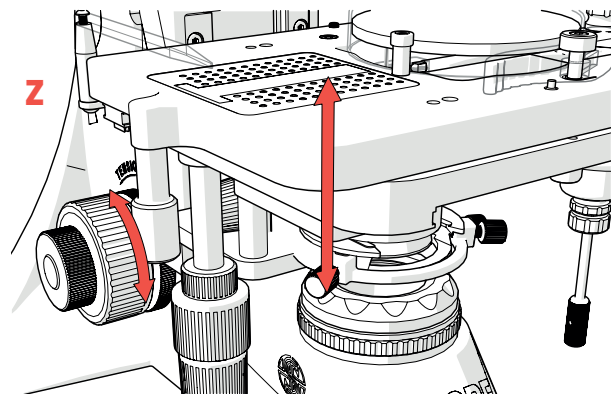


X, Y & Z AXIS ADJUSTMENT

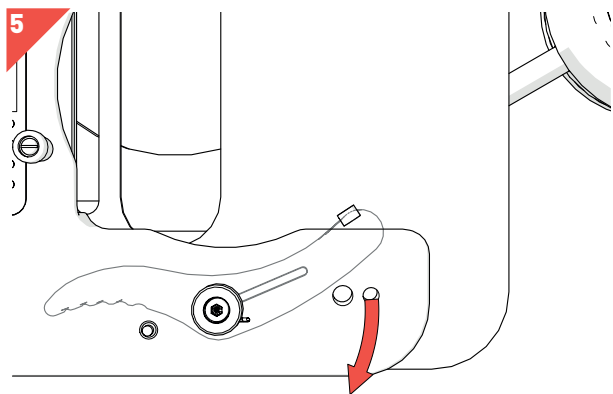
The stage can be moved across the X and Y Axes in 5mm increments.



Use the Pendant Handle (A) to move the stage more rapidly if larger movements are required.

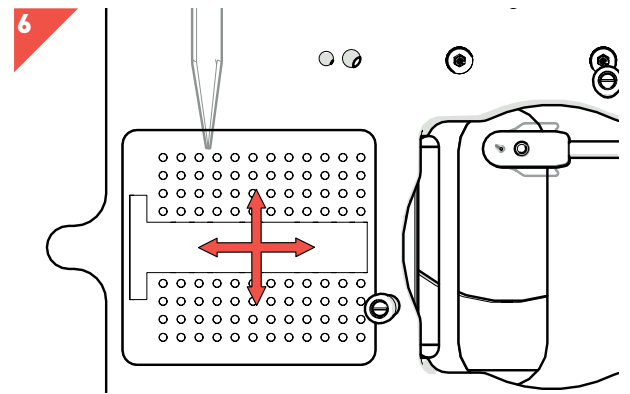


The Z axis has a total working distance of 27mm with a fixed upper limit stop for lens protection.



PETRI DISH MOUNT

The sprung lever ensures the fixed position of the petri dish during analysis.



INDEX POINTER SYSTEM

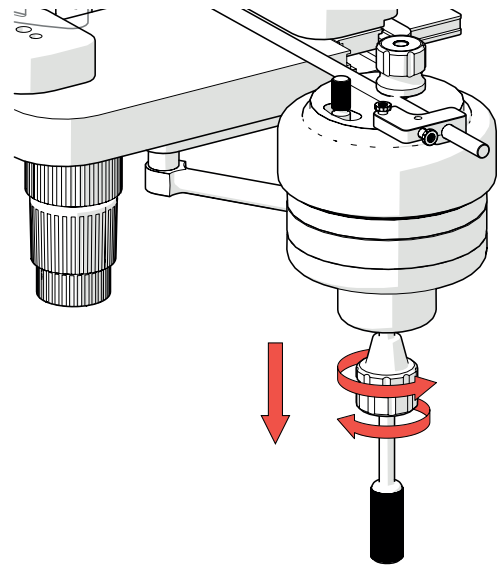
This intuitive addition aids ease-of-use and reduces user error. It points to a graphical representation of the dissection layout as a positional reminder during stage translation.

MICROMANIPULATOR

7

UNLOCK/LOCK MECHANISM

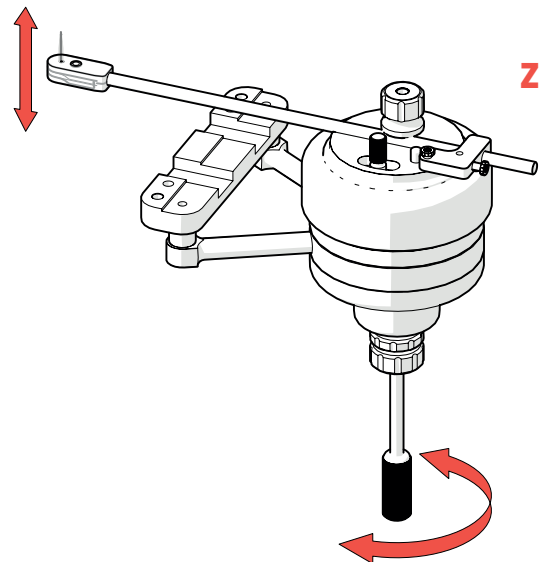
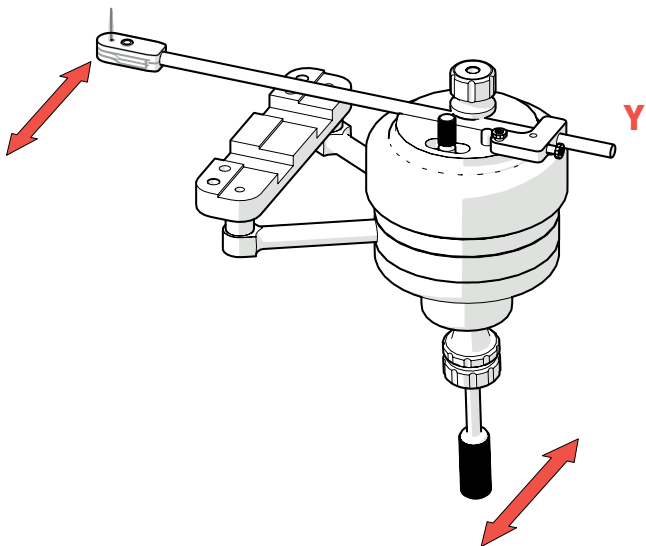
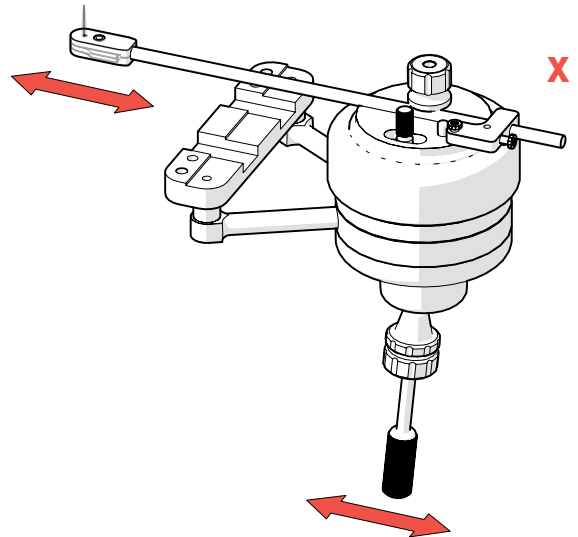
The micromanipulator comes with a unique twist-lock mechanism. Unscrew the counter-rotating joystick locking collars and slide downwards. Re-lock after use.



8

X, Y & Z AXIS JOYSTICK CONTROL

The joystick has 360° rotation and mimics the movement of the hand at a ratio of 25:1 (X&Y Axes). If less movement is required of the joystick, the locking collars can be adjusted to limit the joystick's range of movement.

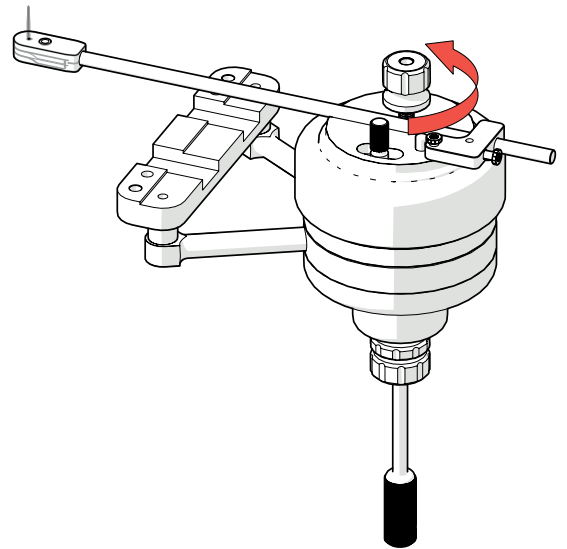


MICROMANIPULATOR & TOOL HOLDER

7

TOOL HOLDER CLAMP

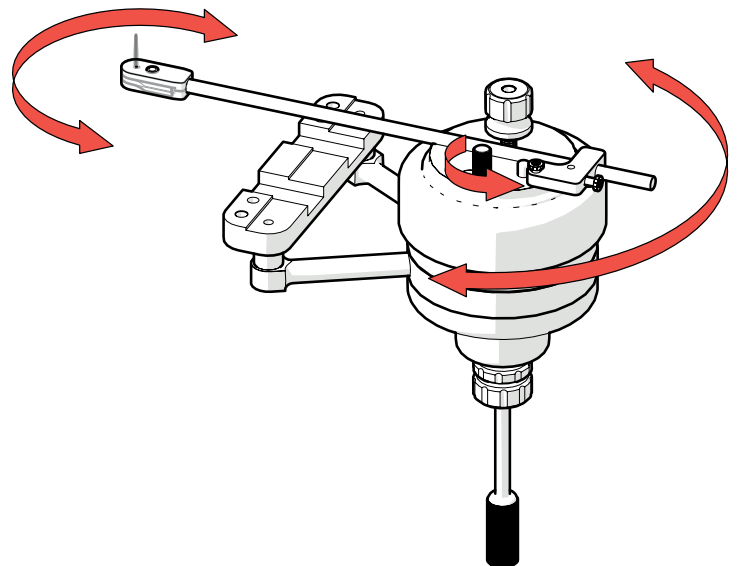
The tool holder stop secures the tool holder in place and can be undone to make needle replacement quick and easy.



8

Y AXIS CONTROL LOCK

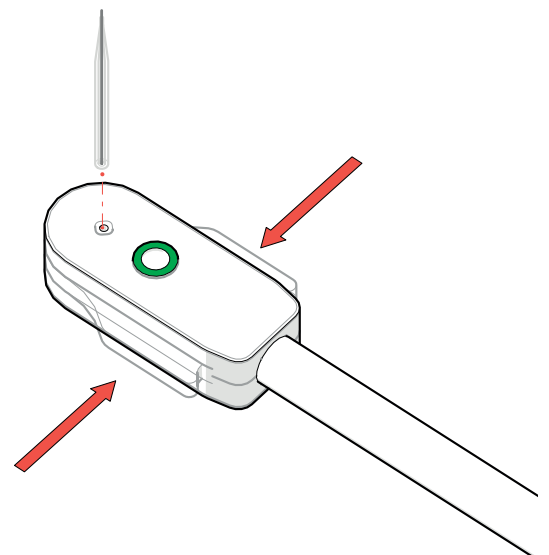
This handy feature allows the user to make fine adjustment to the position of the needle across the Y axis.



5

PINCH-RELEASE NEEDLE HOLDER

Applying pressure to the wings of the needle holder will release the needle, whilst removing the pressure will clamp it in place.





SINGER INSTRUMENTS

A RESPONSIBILITY TO SCIENCE!

Roadwater,
Watchet,
Somerset.
TA23 0RE

+44 (0)1984 640226 (tel)
+44 (0)1984 641166 (fax)

contact@singerinstruments.com
singerinstruments.com



**SCAN TO VISIT WEBSITE FOR MORE
HELPFUL TIPS AND TUTORIALS!**



/SingerInstruments