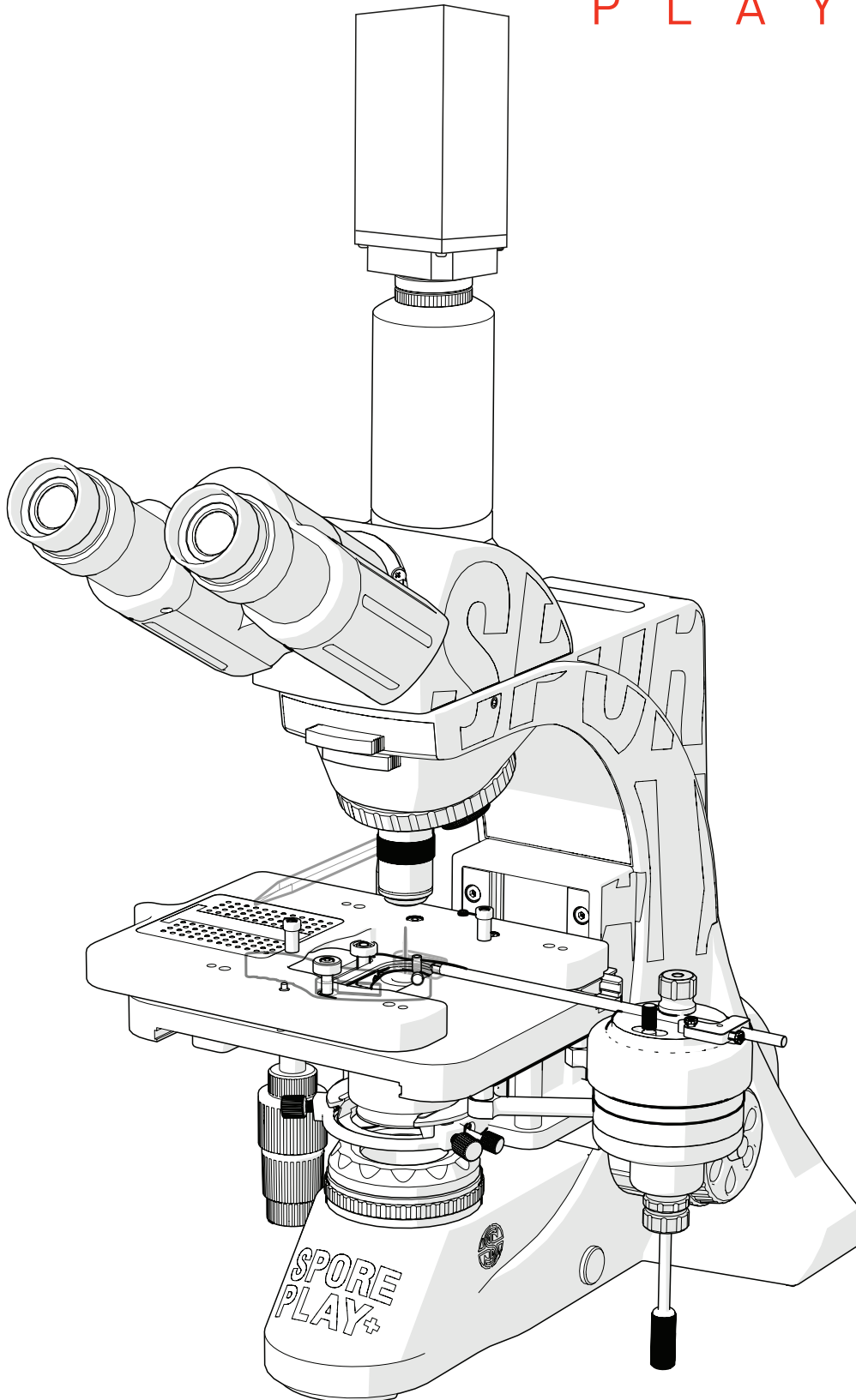


SPORE™ PLAY+

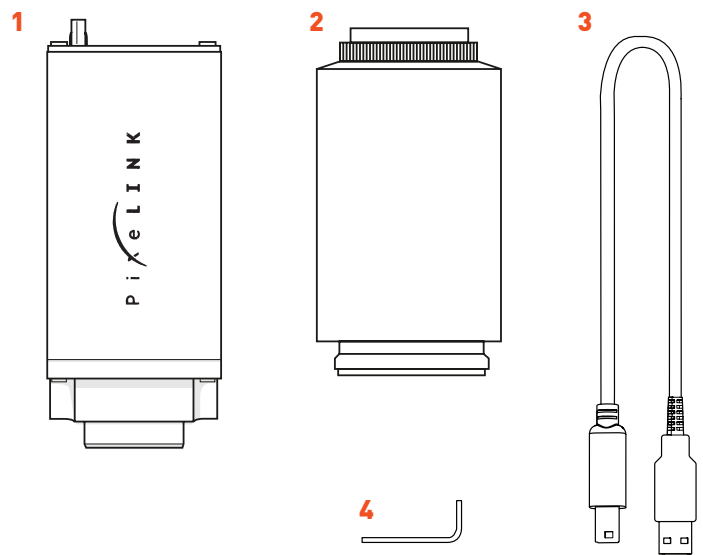


ATTACHING CAMERA

1

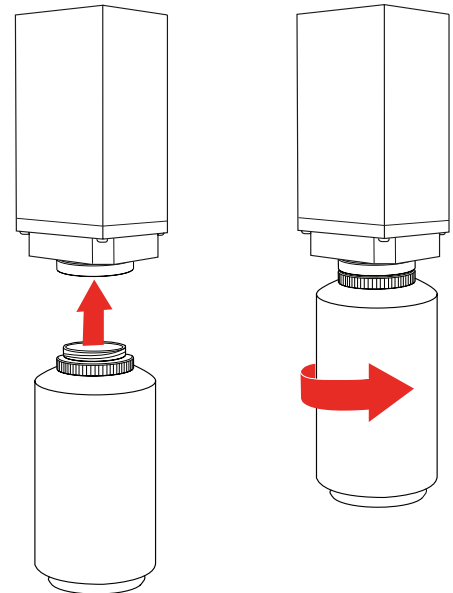
For SporePlay+ camera attachment you will need the following:

1. CCTV Camera
2. DIPS Adaptor
3. USB Cable
4. 2.5mm Hex Key



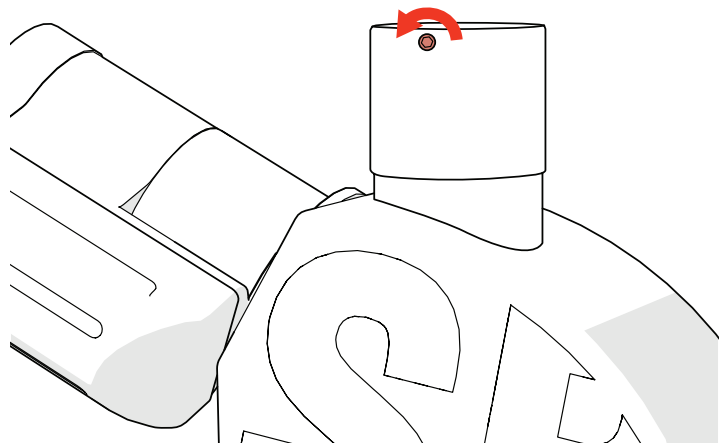
2

Insert the DIPS adaptor (2) into the camera (1) and screw into place.



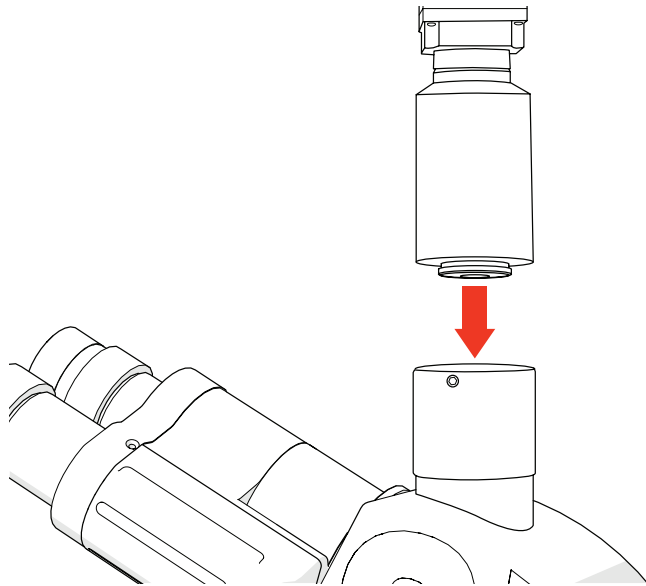
3

Loosen the camera bolt on the trinocular head using the 2.5mm hex key (4).



4

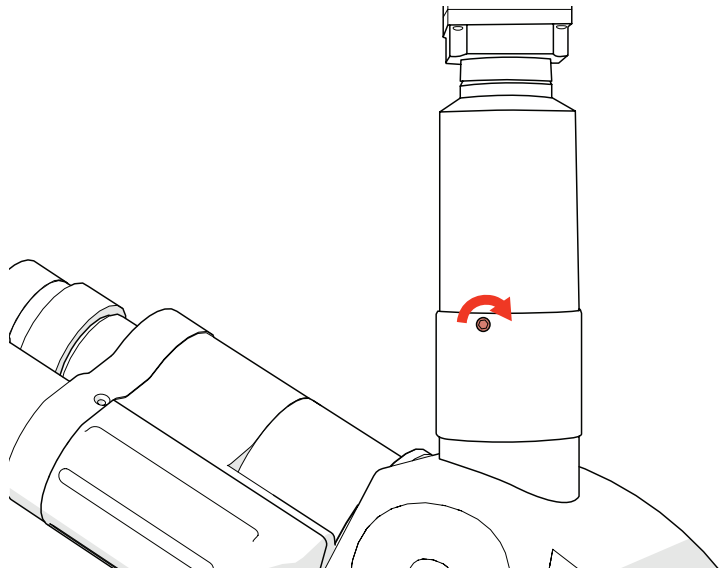
Carefully insert the camera / DIPS adaptor assembly into the trinocular head.



5

Tighten the camera bolt with the 2.5mm hex key (4) to secure the camera in place.

WARNING: Do not overtighten.



6

Connect the camera (1) to your chosen display using the USB cable (3).





SINGER INSTRUMENTS

A RESPONSIBILITY TO SCIENCE!

Roadwater,
Watchet,
Somerset.
TA23 0RE

+44 (0)1984 640226 (tel)
+44 (0)1984 641166 (fax)

contact@singerinstruments.com
singerinstruments.com



**SCAN TO VISIT WEBSITE FOR MORE
HELPFUL TIPS AND TUTORIALS!**

